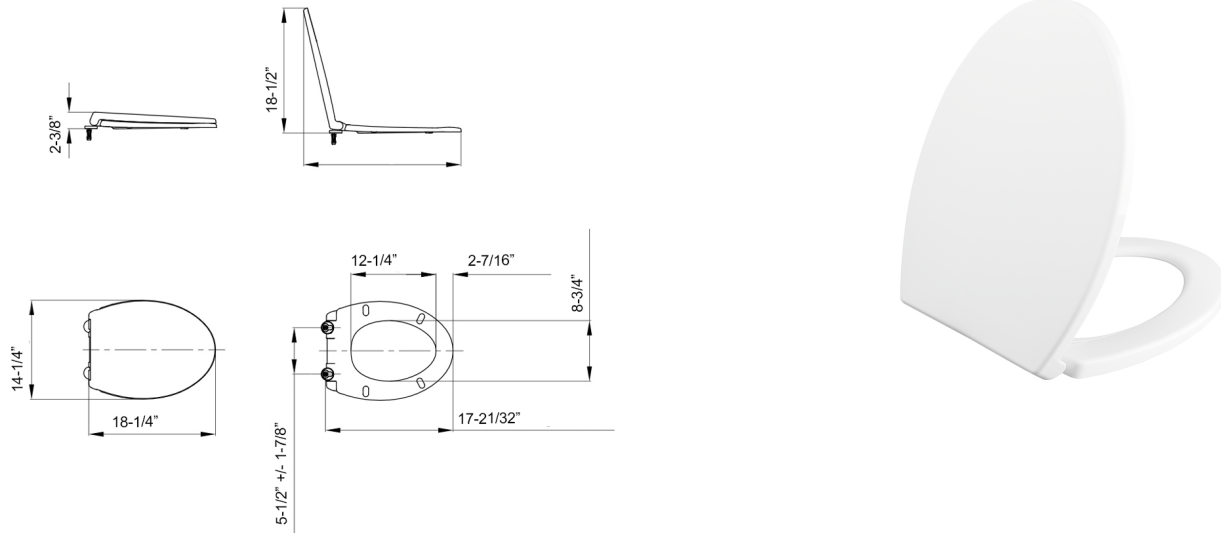


ANNIE

SILENT CLOSE TOILET SEAT G202-0111-U1



FEATURES

Dimensions	L 19" x W 15" x H 3"
Weight	4 lbs
Material Finish	Polypropylene
Color	White

CODES/STANDARDS

ASME A112.19.2-2013/CSA B45.1-13, ASSE 1002

High Efficiency Toilet (HET) at 1.28GPF (4.8LPF) Ultra High Efficiency Toilet (UHET) 1.0GPF (3.8LPF)

MAP RATING HIGHLY RECOMMENDED Flush Performance

DETAILS

Rich with soft angles and full curves, the Annie collection epitomizes a balanced union between modern and classic design. Quiet and discrete ANNIE toilet seat, compatible with AXENT's ANNIE One Piece Toilet (W376-1231).

AXENT Switzerland

support@axentproducts.com
www.axentbath.com
1.800.769.4857

All drawings contain the necessary measurements which are subject to standard tolerances. They are stated in inches and are non-binding. Exact measurements, in particular for customized installation scenarios, can only be taken from the finished ceramic piece.