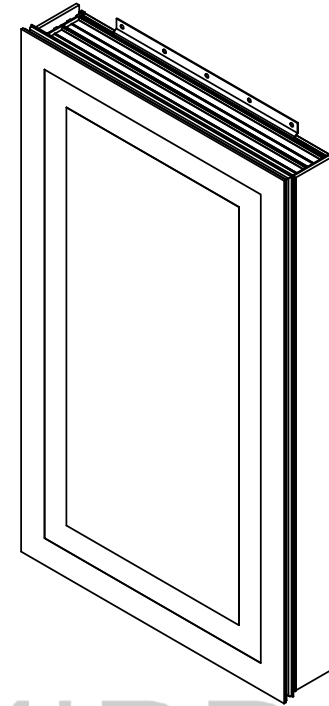
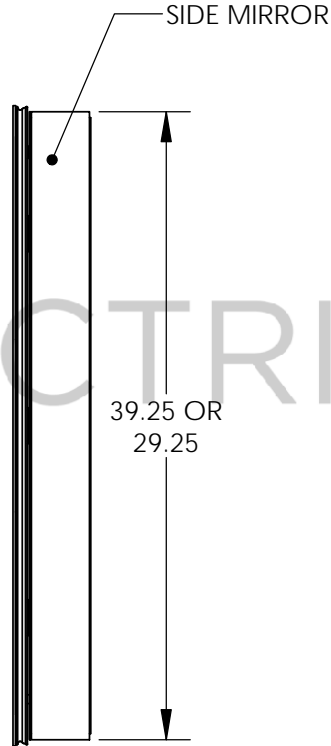
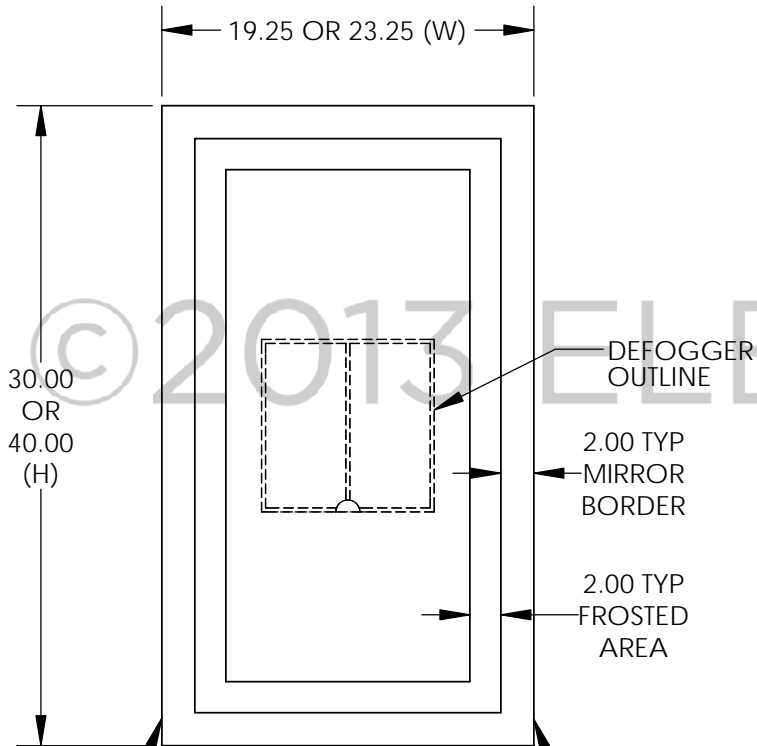
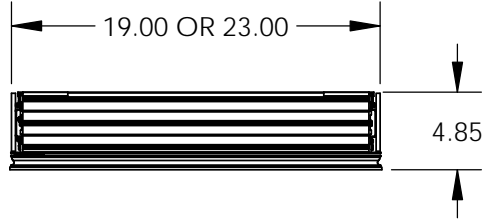


\*BY APPROVING THIS DRAWING YOU ARE ENSURING THAT THESE DIMENSIONS HAVE BEEN FIELD VERIFIED.

APPROVED BY: \_\_\_\_\_ DATE: \_\_\_\_\_

REVISION REQUESTED



LEFT OR RIGHT HINGING DOOR AVAILABLE. PLEASE SPECIFY WHEN PLACING AN ORDER.

**SPECIFICATION:**

THE MC CABLE IS BROUGHT IN THROUGH THE BACKSIDE CHASSIS KNOCKOUT AND CONNECTED TO WIRE DISCONNECT. NO ELECTRICAL BOX REQUIRED. CABINET MAY BE ON DEDICATED HOT CIRCUIT OR CONTROLLED BY LIGHT SWITCH, SEE INSTALLATION INSTRUCTIONS FOR WIRING DETAIL.

FIXTURE SHOULD BE MOUNTED TO A MECHANICALLY SOUND SURFACE SUCH AS WALL STUDS TO SUPPORT ITS WEIGHT. MOUNTING CLEATS ARE PROVIDED.

**LED SPECIFICATION:**

TYPE: HI-POWER LED  
 AVG RATED LIFE (hrs): 50,000  
 CCT (k): 3000  
 CRI: 85

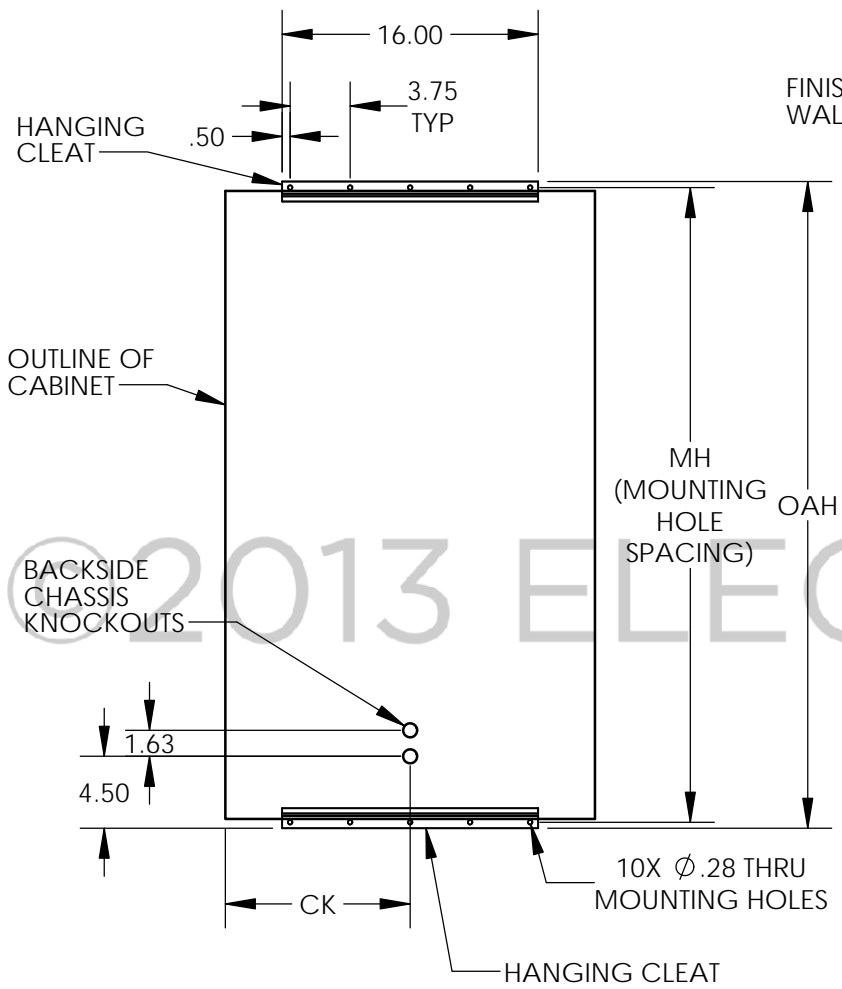
**ELECTRIC MIRROR** <sup>®</sup> 2014 **AMBIANCE SURFACE MOUNT**

SALES AID - 01/22/2014

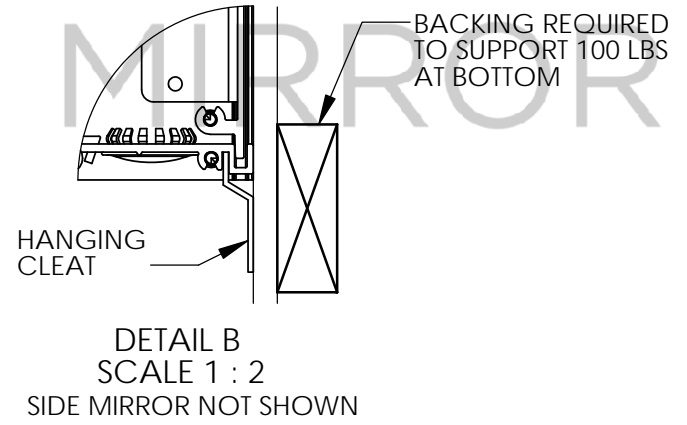
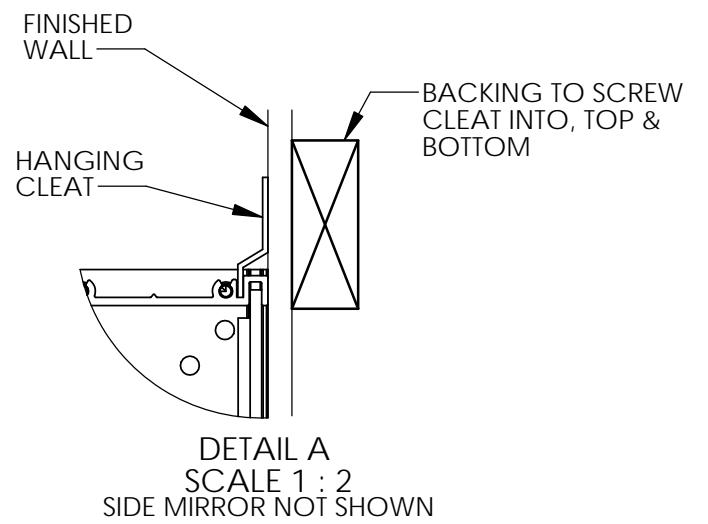
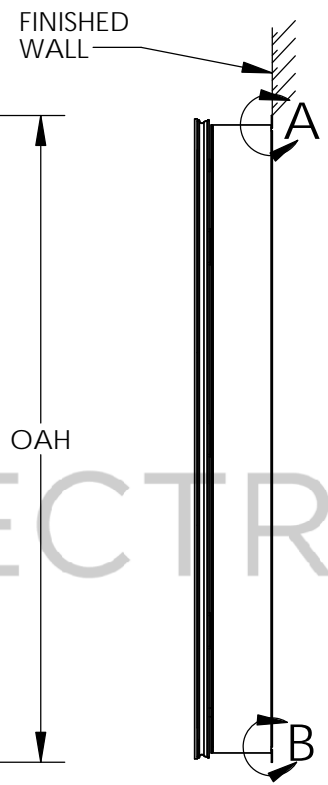
**PROPRIETARY AND CONFIDENTIAL:**

THE INFORMATION CONTAINED IN THIS DRAWING IS THE SOLE PROPERTY OF ELECTRIC MIRROR L.L.C. ANY REPRODUCTION IN PART OR AS A WHOLE WITHOUT THE WRITTEN PERMISSION OF ELECTRIC MIRROR L.L.C. IS PROHIBITED. © 2014 ELECTRIC MIRROR

DIMS IN INCHES	REV. A
SCALE: 1:12	PG.1 OF 2
CONTACT US: consultants@electricmirror.com T+1.425.776.4946	



**WALL HANGING DETAILS**



MODEL SIZE	W	H	OAH	MH	CK	DEFOGGER	AMPS @ 120V
<b>AMB-19.25X30.00</b>	19.25	30	30.42	29.67	9.55	6X11	0.52
<b>AMB-23.25X30.00</b>	23.25	30	30.42	29.67	11.55	6X11	0.6
<b>AMB-19.25X40.00</b>	19.25	40	40.42	39.67	9.55	10X10	0.69
<b>AMB-23.25X40.00</b>	23.25	40	40.42	39.67	11.55	10X10	0.74

**ELECTRIC MIRROR** <sup>®</sup> 2014

**AMBIANCE SURFACE MOUNT**

SALES AID - 01/22/2014

PROPRIETARY AND CONFIDENTIAL:  
THE INFORMATION CONTAINED IN THIS DRAWING IS THE SOLE PROPERTY OF ELECTRIC MIRROR L.L.C. ANY REPRODUCTION IN PART OR AS A WHOLE WITHOUT THE WRITTEN PERMISSION OF ELECTRIC MIRROR L.L.C. IS PROHIBITED. © 2014 ELECTRIC MIRROR

DIMS IN INCHES	REV. A
SCALE: 1:12	PG.2 OF 2
CONTACT US: consultants@electricmirror.com T+1.425.776.4946	