

## ETERNITY™ LIGHTED MIRROR



The Eternity™ Lighted Mirror illuminates the powder room with balanced circular lighting that draws the eye towards its elegant form.

### THERE'S ONLY ONE™ ELECTRIC MIRROR®

Electric Mirror is the global leader in Lighted Mirrors and Mirror TV technology. With unparalleled customer service and amazing innovation, Electric Mirror is the standard of luxury for five-star hotels, upscale commercial projects and designer homes.

#### FEATURES

- E-Life™-8 Years Extended Lamp Replacement Cycle
- Natural Light Color
- HardCoat™ Anti-Corrosion Mirror Treatment
- Rust Resistant Powder Coated Metal Construction
- Environmentally Sustainable
- Energy Efficient
- Wall Glow
- Proudly Made in The USA
- Patent Pending

#### LIGHTING

- Low-Mercury T5HO Warm Fluorescent (US Made)
- CRI 85
- CCT (K) 3000
- Average Lamp Life of 35,000 Hours
- 50,000 Cycle Ballast

#### OPTIONS

- Custom Sizes Available
- Add a TV (See Eternity Lighted Mirror TV)
- Add Keen™ Technology
- Add Vive™ Technology
- Diamond Clear™
- Dimmable
- Defogger
- Night Light
- Glass Shelf
- LED Digital Clock
- LED Lighting
- Wall Glow
- Enclosed Chassis

#### SAFETY

- Tested to UL/UL-C 1598 Including Section 16.23
- International Certifications
- Safety Backed Mirror

**PROPRIETARY AND CONFIDENTIAL:** The information contained in this specification is the sole property of Electric Mirror®. Any reproduction in part or in whole without written permission from Electric Mirror® is prohibited.

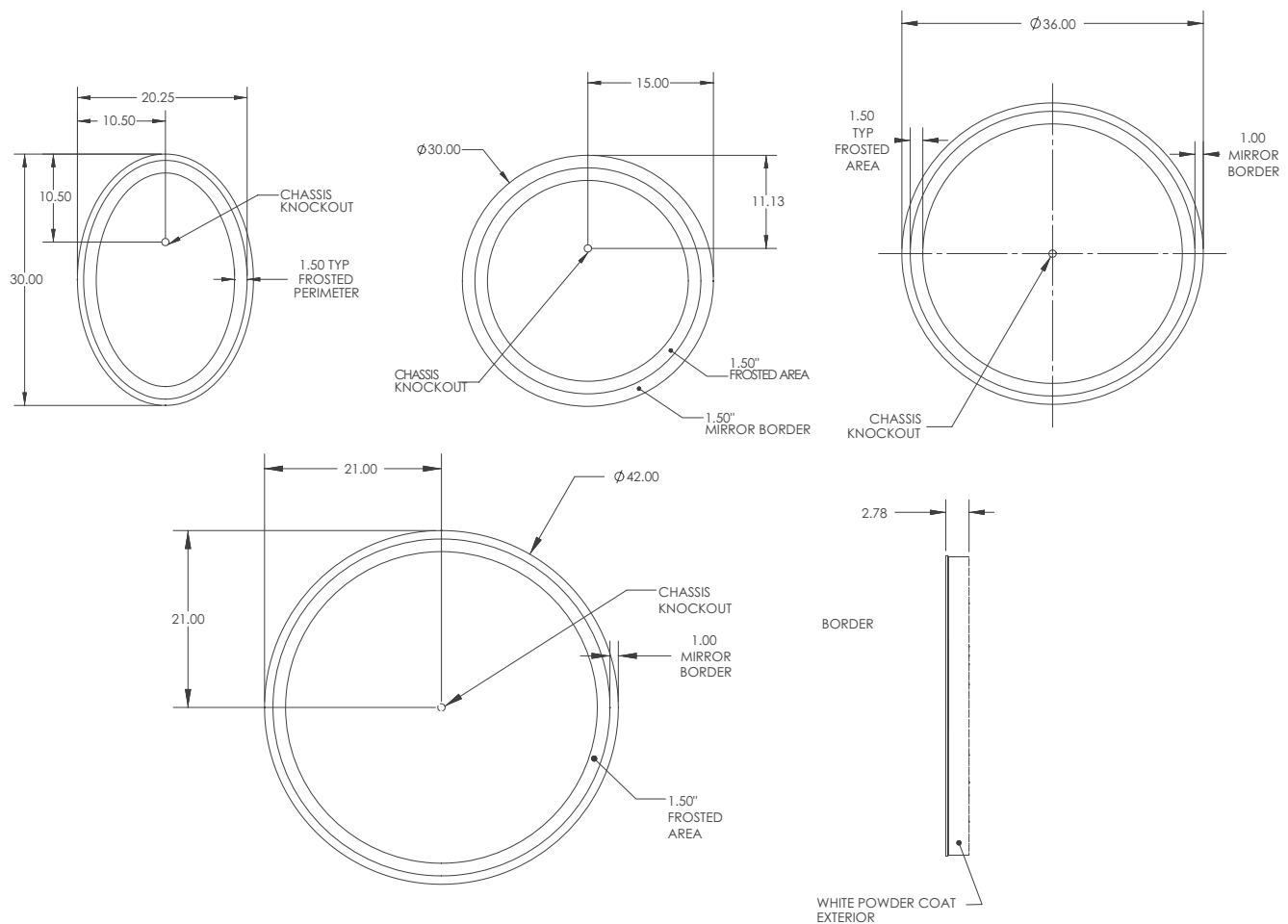
© 2014 ELECTRIC MIRROR®

## ETERNITY™ LIGHTED MIRROR

### SPECIFICATION

- The top of the lighted mirror above the bathroom vanity should be a minimum of 6' 6" above the finished floor.
- Electrical connections made with MC cable brought through the chassis knockout, no electrical box required.
- Electrical power should be controlled by a light switch.
- Fixture should be mounted to wall studs to provide sufficient support. Mounting holes are provided in the chassis.

MODEL NUMBER	DIMENSIONS	POWER REQUIREMENTS	LAMPING
ETE-21.00x30.00	21" W x 30" H oval x 2.5" D 533mm x 762mm x 63.5mm	120/277 VAC, .92/.40 Amps, 110W	2 x Circline T5, 55W
ETE-30.00	30" diameter x 2.5" D 762mm diameter x 63.5mm	120/277 VAC, .92/.40 Amps, 110W	2 x Circline T5, 55W
ETE-36.00	36" diameter x 2.75" D 914mm diameter x 70mm	120/277 VAC, 1.5/.65 Amps, 180W	5 x T5HO, 36W
ETE-42.00	42" diameter x 2.75" D 1,067mm diameter x 70mm	120/277 VAC, 1.5/.65 Amps, 180W	5 x T5HO, 36W



**PROPRIETARY AND CONFIDENTIAL:** The information contained in this specification is the sole property of Electric Mirror®. Any reproduction in part or in whole without written permission from Electric Mirror® is prohibited.

© 2014 ELECTRIC MIRROR®