

GEBERIT INSTALLATION SYSTEM

For 1.6/0.8 GPF (6/3 LPF) and 1.28/0.8 GPF (4.8/3 LPF) Wall-Hung Toilets, Pre-Wall Installations

PRODUCT SPECIFICATIONS

In-Wall Duofix carrier system and concealed tank with actuator flush panel or pneumatic push button for washdown wall-hung toilets. System shall fit within minimum 5½" (140 mm) framing wall or plumbing chase, with wood construction or steel framing members placed 19¼" (500 mm) apart. Framing members should be capable of supporting a 880 pound (400 kg) load without damage to the wall. Water supply shall have flow diameter no smaller than 1/2" (13 mm) copper tube, and a minimum flow pressure of 2 PSI (0.01 MPa). The toilet bowl shall be a third party listed, 2-hole wall-hung 1.6 GPF (6 LPF) or 1.28 GPF (4.8 LPF) single-flush, 1.6/0.8 GPF (6/3 LPF) or 1.28/0.8 GPF (4.8/3 LPF) dual-flush. The carrier frame shall be adjustable for bowl rim heights from 15" to 19" (381 to 483 mm). Actuator flush panels shall be diecast zinc, molded plastic, glass or fabricated stainless steel and plated to preserve material integrity. All components shall be compliant with applicable codes and product standards.

FEATURES

- Water consumption – Dual-flush system, 1.6/0.8 GPF (6/3 LPF) or 1.28/0.8 GPF (4.8/3 LPF)
- Anti-siphon fill valve
- Impact resistant high density polyethylene (HDPE) tank, insulated to prevent condensation
- 16-gauge, powder-coated, structural-steel tubing rated to 880 lbs. (400 kg) without damage to finished wall or carrier unit
- Bowl rim height adjustments from 15" to 19" (381 to 483 mm)
- 32¼" (820 mm) frame height
- For finished walls up to 3½" (9 cm) thick
- Small inspection opening for Omega flush actuator plates
- Includes installation and rough-in materials

Complies with the latest editions of:

- ASME: A112.6.2, A112.19.5, A112.19.14
- ANSI Z124.4
- CSA B125.3
- ANSI/ASSE 1002
- IAPMO PS-50
- UNAR / UNAR-HET
- ASME A112.19.2
- This concealed tank is WaterSense® listed or compliant when used in combination with the toilet bowl models listed on page 3 of this sheet.
- State of Massachusetts listed

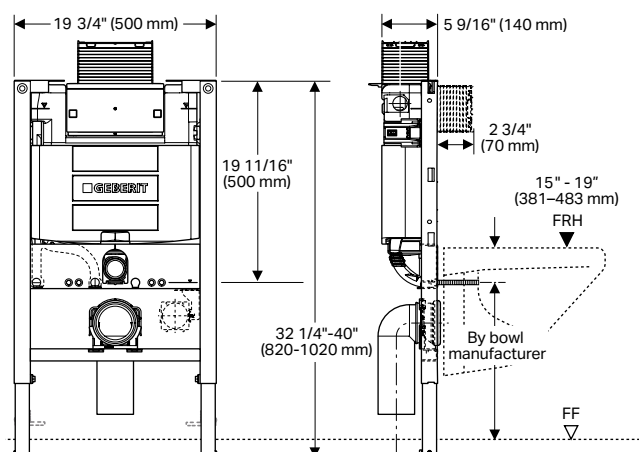
WARRANTY

Limited lifetime warranty on tank and carrier, 10-year warranty on fill valve and flush valve. One-year warranty on actuator flush plates.

Products marked with comply with the American Disabilities Act (ADA) when installed per the requirements of the latest ADA Accessibility Guidelines (ADAAG) and/or ICC/ANSI A117.1.

Where water closet grab bars are required and corresponding reinforcement provided as outlined in the latest NYC Building Code and Federal FHA Guidelines, the installed product complies both for grab bars installed at the time of initial construction as well as for grab bars planned for future installation.

Model No.	Description	
111.012.00.1	Carrier frame with 1.60/0.8 GPF Omega Concealed Tank	
111.018.00.1	Carrier frame with 1.28/0.8 GPF Omega Concealed Tank	



ARCHITECT/ENGINEER APPROVAL

Job Name: _____

Date: _____ Quantity: _____

Model Specified: _____

Variations Specified: _____

Customer/Wholesaler: _____

Contractor: _____

Architect: _____

GEBERIT INSTALLATION SYSTEM

for 1.6/0.8 GPF (6/3 LPF) and 1.28/0.8 GPF (4.8/3 LPF) Wall-Hung Toilets, Pre-Wall Installations

COMPATIBLE 1.6/0.8 GPF (6/3 LPF) WALL-HUNG TOILET BOWL MODELS

Brand Name	Model Number*	Model Name	Brand Name	Model Number*	Model Name	Brand Name	Model Number*	Model Name	
Blu	LW6008	Coco	Duravit	252959	ME by Starck	Laufen	8.2096.2	Laufen Pro S	
Bathworks	LW6020	Metrix	(continued)	253009	ME by Starck	(continued)	8.2096.3	Laufen Pro S	
	LW6030	Coco		256109	P3 Comforts		8.2068.0	LB3	
Devon & Devon	LW6030A	Coco		256159	P3 Comforts		8.2068.8	LB3	
	IBWCSBLUES	Blues		221909	PuraVida		8.2043.5	Living	
	IBWCSET	Etoile		021009	Starck 1		8.2043.9	Living	
	2IBWCBSET	Etoile		016009	Starck 2		8.2055.0	Mimo	
	2IBWCSET	New Etoile		253309	Starck 2		8.2094.6	Mylife	
Duravit	2IBWCBSET	New Etoile		253359	Starck 2		8.2094.8	Mylife	
	IBWCSRO	Rose		253409	Starck 2		8.2070.8	Palace	
	018209	1930 Series		220009	Starck 3		8.2080.1	Palomba	
	220509	2nd Floor		220109	Starck 3		8.2080.8	Palomba	
	222009	2nd Floor		222509	Starck 3				
	017509	Bathroom_Foster		220209	Starck 3 compact	Neo-Metro	8951	Euro-Urban Contour	
	015609	Caro		222709	Starck 3 compact		8957	Metaal	
	019809	Caro		252709	Starck 3		8952	miniLoo	
	019849	Caro		222609	Starck 3	ROCA	346768	Armani	
	221109	D-Code		222659	Starck 3		346518	Dama Senso	
	253509	D-Code		220309	Starck 3 extra long		346468	Giralda	
	220909	D-Code		220609	Starck 3		346628	Hall	
	222309	D-Code		221509	Starck 3		346568	Happening	
	020709	Darling		220409	Starck X	TOTO	CT418FG	Aquia	
	254509	Darling New		221709	Vero		CT486FG	Maris	
	255709	Darling New				Tynan Plumbing	7531.XX	Aine	
	254409	Darling New		icera	C-6610		7532.XX	Fionn	
	254459	Darling New			C-2340				
	256309	Darling New			C-2370		Villeroy & Boch	6612-YY-XX	Aveo
	256359	Darling New						4684-YY-XX	Architectura
	253609	DuraStyle		Kallista	P70361-00	Pléo		4688-UR-XX	Architectura
	253709	DuraStyle		Kohler	K-6299	Veil		5664-YY-XX	Bellevue
	253809	DuraStyle			K-6300	Veil for Bidet Seat		6653-YY-XX	Century
	253909	DuraStyle		Lacava	5458	Aquagrande		6665-YY-XX	Editorials
	254009	DuraStyle			5051WC	Giulia		6661-10-XX	Hommage
	254109	DuraStyle			4278	Piazza		5627-YY-XX	La Belle
	253759	DuraStyle			6058	Suave		7631-YY-XX	Magnum
	254209	DuraStyle			2958	Tre		5628-YY-XX	Memento
	254259	DuraStyle		Laufen	8.2090.0	Alessi dOt		6664-YY-XX	Oblic
	255109	DuraStyle			8.2090.8	Alessi dOt		5684-YY-XX	Omnia Architectura
	255209	DuraStyle			8.2097.6	Alessi One		5674-YY-XX	Omnia Architectura
	255909	DuraStyle			8.2097.8	Alessi One		5678-YY-XX	Omnia Architectura Vita
	256209	DuraStyle Basic			8.2067.1	Form		5670-YY-XX	Pure Stone
	255409	Esplanade			8.2066.1	Hi Jet		5622-YY-XX	Sentique
	017109	Happy D			8.2033.8	Kartell		6661-YY-XX	Strada
222109	Happy D.2			8.2033.6	Kartell		4609-UR-XX	Subway	
222209	Happy D.2			8.2033.1	Kartell		6600-YY-XX	Subway	
255009	Happy D.2			8.2095.0	Laufen Pro		5600-YY-XX	Subway 2.0	
255059	Happy D.2			8.2096.9	Laufen Pro		5614-XX	Subway	
252909	ME by Starck			8.2095.6	Laufen Pro				
				8.2095.2	Laufen Pro Compact				

COMPATIBLE 1.28/0.8 GPF (4.8/3 LPF) WALL-HUNG TOILET BOWL MODELS

Brand Name	Model Number*	Model Name
TOTO	CT437FG****	MH
	CT437FGT20****	MH Connect+

* Consult toilet manufacturers for up-to-date model numbers and availability.

**** Meets 800 grams MaP performance score self-attested by manufacturer.

GEBERIT INSTALLATION SYSTEM

for 1.6/0.8 GPF (6/3 LPF) and 1.28/0.8 GPF (4.8/3 LPF) Wall-Hung Toilets, Pre-Wall Installations

**WATERSENSE LISTED EPA HIGH
EFFICIENCY COMPATIBLE
1.28/0.8 GPF (4.8/3 LPF) WALL-HUNG
TOILET BOWL MODELS**



Brand Name	Model Number*	Model Name
TOTO	CT437FG****	MH
	CT437FGT20****	MH Connect+

- * Consult toilet manufacturers for up-to-date model numbers and availability.
- **** Meets 800 grams MaP performance score self-attested by manufacturer.

Geberit
2100 S. Clearwater Drive
Des Plaines, IL 60018
USA

P 847-803-7777
F 847-803-5454

www.geberit.us