

100.1400 | Kitchen / Bar Faucet

SPECIFICATIONS:

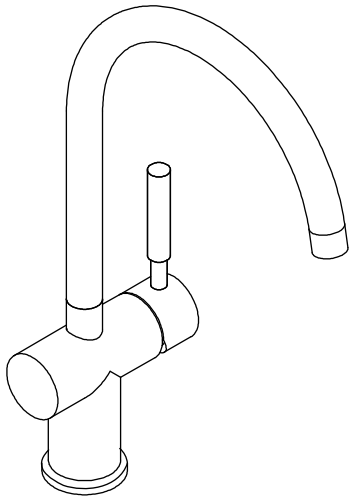
- Solid Brass construction
- Single Hole Installation
- 1.8 GPM Flow Rate @ 60 PSI
- Ceramic disc cartridge allows both volume and temperature control

FINISHES :

- Chrome - 100.1400CP

STANDARDS:

- ASME A112.18.1 / CSA B125.1, NSF-61 & EPA Watersense



LowFlow Capable



Legislation Compliance



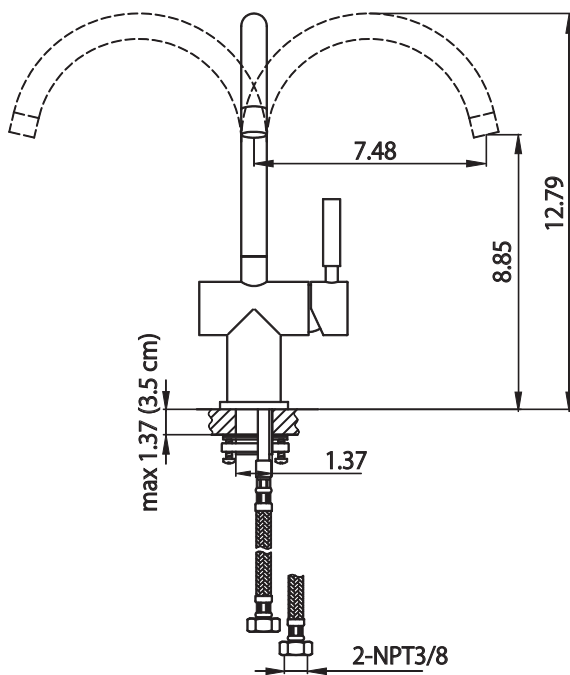
Low Lead Compliant



ZeroDrip Technology

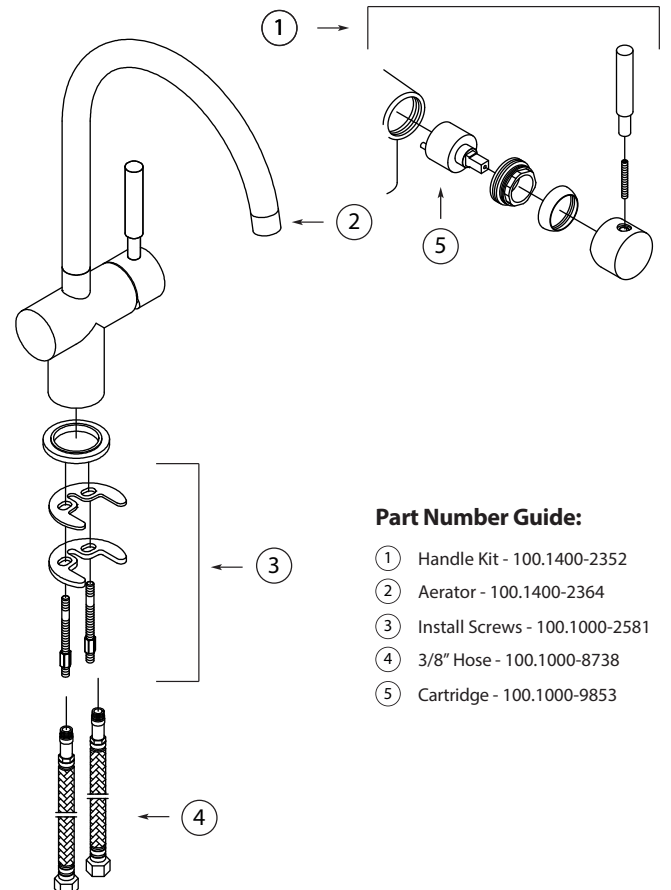


Technical Diagram



Critical Dimensions in Inches

Exploded View



Part Number Guide:

- ① Handle Kit - 100.1400-2352
- ② Aerator - 100.1400-2364
- ③ Install Screws - 100.1000-2581
- ④ 3/8" Hose - 100.1000-8738
- ⑤ Cartridge - 100.1000-9853