

**145.1800 | Single Lever Wall Mount Faucet**

**SPECIFICATIONS:**

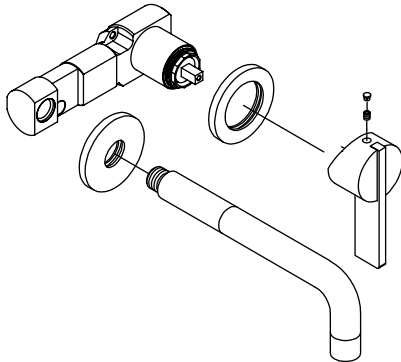
- Solid Brass construction - includes valve
- Single Hole Installation
- 1.5 GPM Flow Rate @ 60 PSI (1.2 GPM For California)
- Ceramic disc cartridge allows both volume and temperature control
- Extension Available - 100.1800E\*\*

**FAST SHIP FINISHES :**

- Chrome - 145.1800CP

**STANDARDS:**

- ASME A112.18.1 / CSA B125.1, NSF-61



LowFlow Capable



Legislation Compliance



Low Lead Compliant



ZeroDrip Technology



**Technical Diagram**

