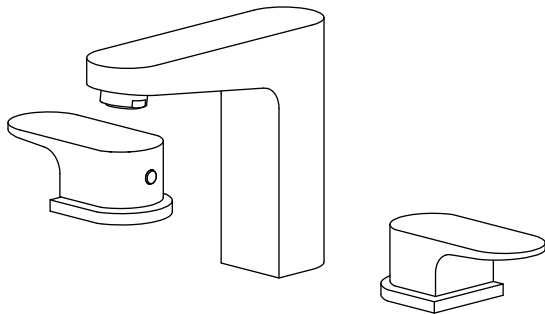


180.2000 | 8" Widespread 3-Hole Faucet



SPECIFICATIONS:

- Solid Brass construction
- Three Hole Installation
- 1.5 GPM Flow Rate @ 60 PSI (1.2 GPM For California)

FAST SHIP FINISHES :

- Chrome - 180.2000CP, Brushed Nickel - 180.2000BN

STANDARDS:

- ASME A112.18.1 / CSA B125.1, NSF-61



LowFlow Capable



Legislation Compliance



Low Lead Compliant



ZeroDrip Technology



Technical Diagram

