

**196.1800 | Single Lever Wall Mount Faucet**

**SPECIFICATIONS:**

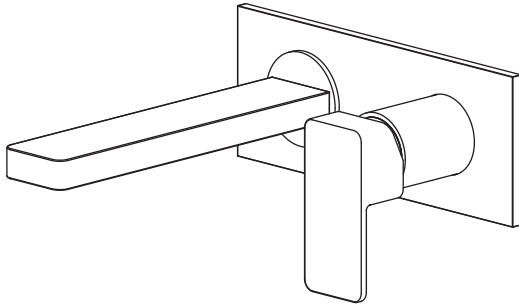
- Solid Brass construction - includes valve
- Single Hole Installation
- 1.5 GPM Flow Rate @ 60 PSI (1.2 GPM For California)
- Ceramic disc cartridge allows both volume and temperature control
- No Extension Available

**FAST SHIP FINISHES :**

- Chrome - 196.1800CP, Brushed Nickel - 196.1800BN

**STANDARDS:**

- ASME A112.18.1 / CSA B125.1, NSF-61



LowFlow Capable



Legislation Compliance



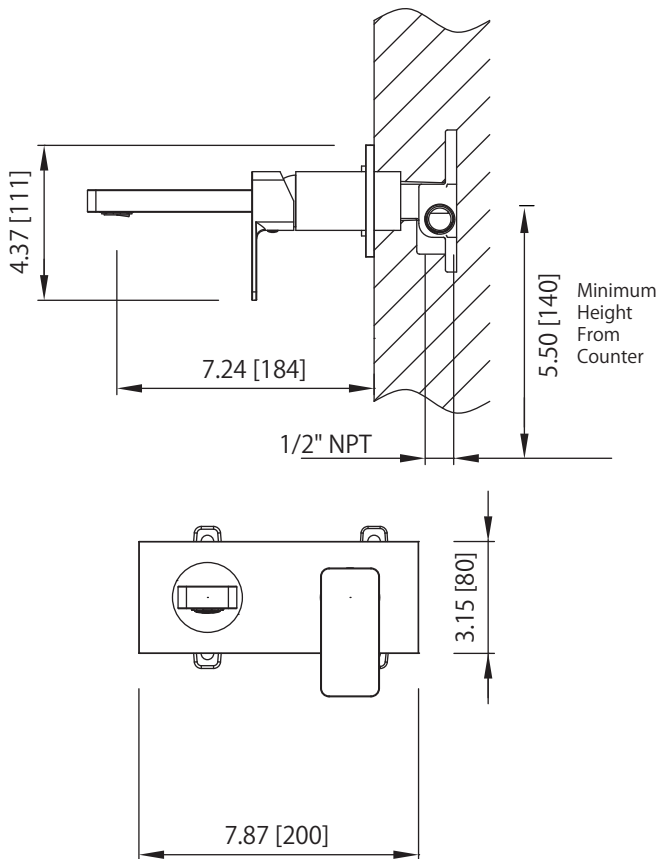
Low Lead Compliant



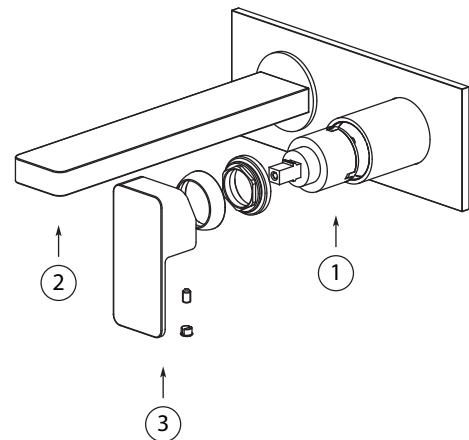
ZeroDrip Technology



**Technical Diagram**



**Exploded View**



**Part Number Guide:**

- ① Cartridge - 196.1000-9853
- ② Aerator - 196.1000-2364
- ③ Handle Kit - 196.1800-2352CP - Chrome  
196.1800-2352BN - Brushed Nickel