

### 260.1800 | Single Lever Wall Mount Faucet

#### SPECIFICATIONS:

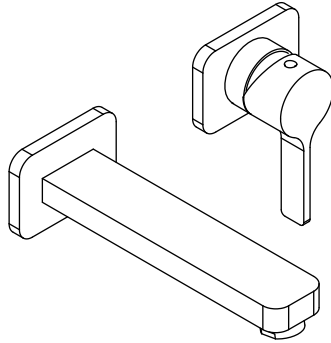
- Solid Brass construction - includes valve
- Wall Mount Installation
- 1.5 GPM Flow Rate @ 60 PSI (1.2 GPM For California)
- Ceramic disc cartridge allows both volume and temperature control
- Extension Available - 160.1800E\*\*

#### FAST SHIP FINISHES :

- Chrome - 260.1800CP, Brushed Nickel - 260.1800BN

#### STANDARDS:

- ASME A112.18.1 / CSA B125.1, NSF-61



LowFlow Capable



Legislation Compliance



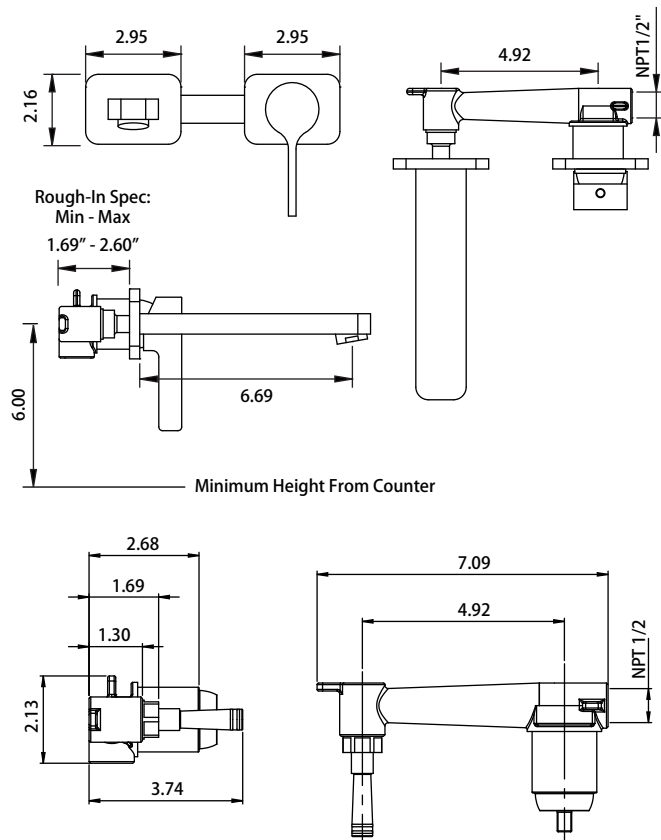
Low Lead Compliant



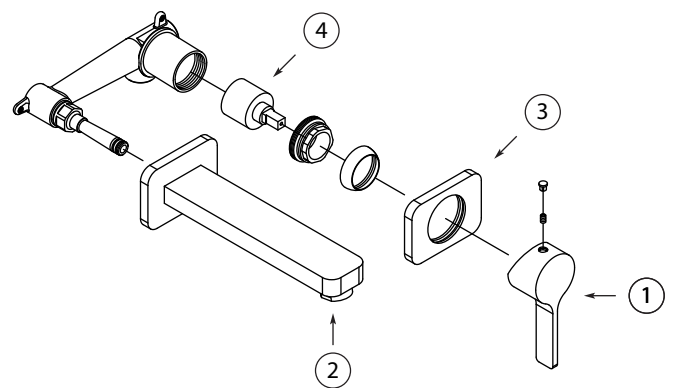
ZeroDrip Technology



#### Technical Diagram



#### Exploded View



- ① Handle - 260.1800-2352CP - Chrome  
- 260.1800-2352BN - Brushed Nickel
- ② Aerator - 160.1800-2364
- ③ Trim Plate - 260.1800-2000
- ④ Cartridge - 100.1000-9853