

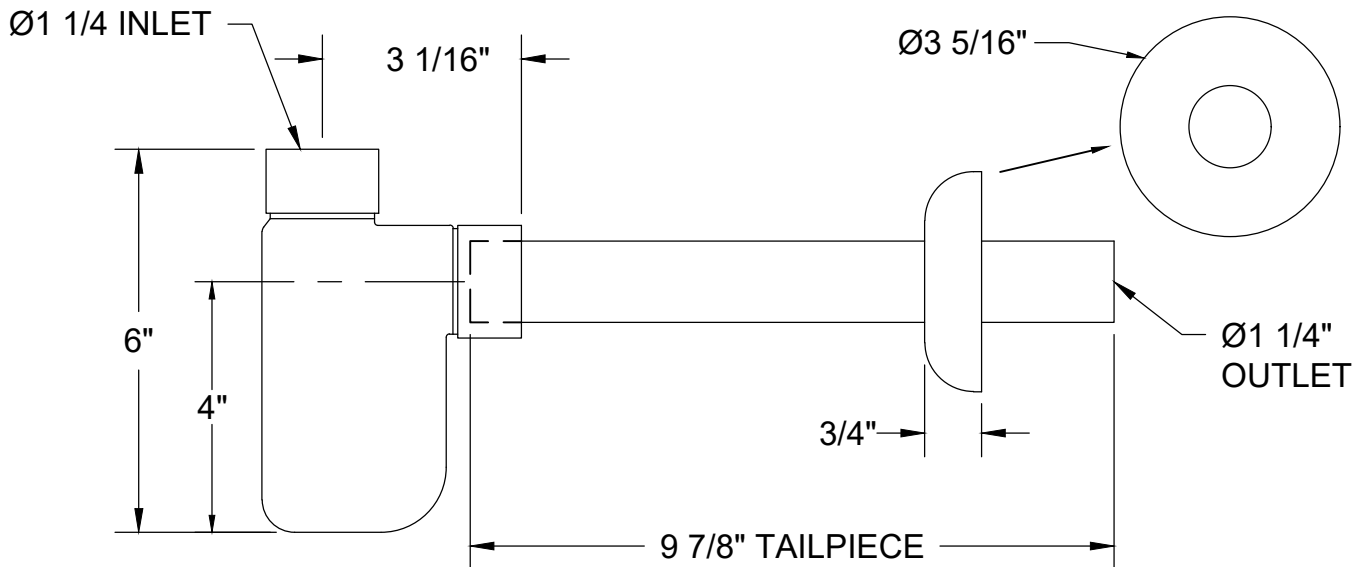
MT1000

TRADITIONAL STYLE DELUXE DECORATIVE BOTTLE TRAP

SPECIFICATION SHEET



Mountain
Plumbing Products



- $\text{Ø}1\ 1/4$ " INLET AND OUTLET
- INCLUDES REDUCER WASHER TO CONNECT TO $1\ 1/2$ " WALL DRAIN
- $11\ 7/8$ " DRAIN PIPE
- FULLY PLATED BRASS DESIGNED FOR EXPOSED APPLICATIONS

WARRANTY

FOR WARRANTY INFO PLEASE VISIT WWW.MOUNTAINPLUMBING.COM/PAGE/RESOURCES/WARRANTY

FINISH CARE & MAINTENANCE

NEVER USE ANY HARSH ALKALI, ACID BASED DETERGENTS OR CLEANERS SUCH AS SOFT SCRUB®, SCRUBBING BUBBLES® OR COMET® TO CLEAN. DO NOT USE BRILLO® AND SCOTCH BRITE® PADS. THESE WILL ALL HARM THE FINISH. TO CLEAN, USE ONLY A DAMP SOFT CLOTH AND WIPE USING A SOFT CLOTH. STANDARD WINDEX® CAN ALSO BE USED SPARINGLY. IT IS NOT NECESSARY TO WIPE HARD TO REMOVE SPOTS. TO MAINTAIN THE FINISH, WIPE WITH A SOFT DRY CLOTH AFTER USE. AN OCCASIONAL COAT OF PURE CARNAUBA WAX WITHOUT CLEANERS WILL HELP PROTECT THE FINISH.

SPECIFICATIONS SUBJECT TO CHANGE WITHOUT NOTICE