

9 W W8^

Provide MYSON B24 EUROPEAN TRADITION hydronic towel warmer including accessories as scheduled. European Tradition towel warmers are made of 1-1/4" brass tube and fittings in a variety of finishes. The B24 hydronic towel warmer is approved for installation on closed loop hydronic hot water systems only.

Each B24 towel warmer is constructed with integral 3-1/4" diameter wall and floor mounting flanges that are welded onto the back and bottom. The towel warmers are equipped with a manual air vent. Every unit is factory filled, tested and inspected to insure the finest quality product.

3hs[ST W8] [eZV8,

Polished Chrome, Polished Nickel, Satin Nickel, Regal Brass, Oil-Rubbed Bronze, White

Efs` VScV 5a` ` Wf[a` s:

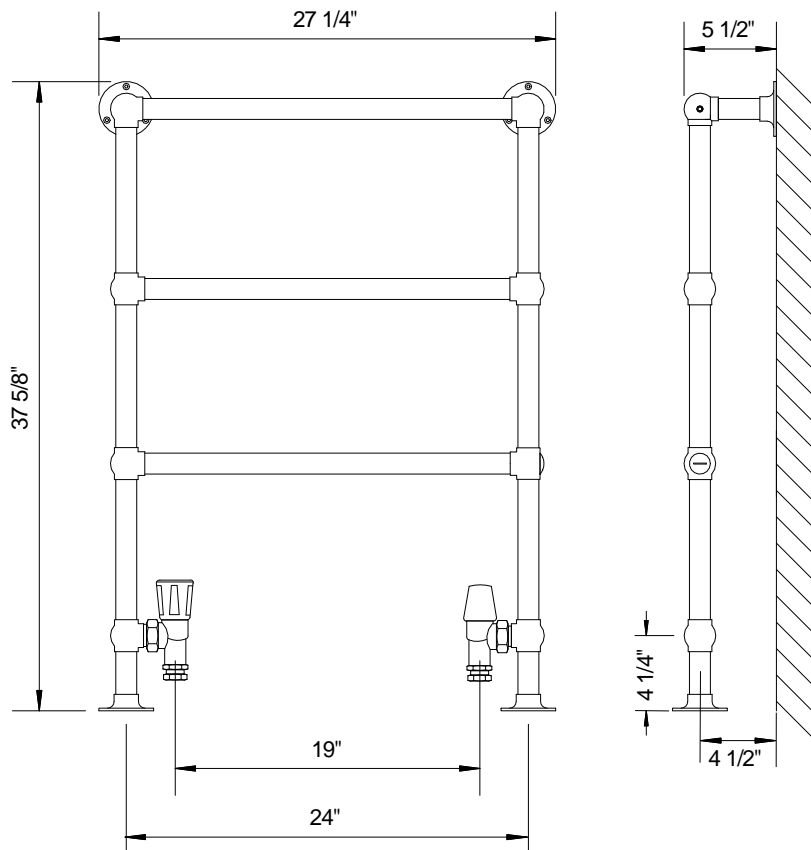
2 x internal thread G 1/2" BSP

Maximum positive operating pressure: 77psi

Maximum operating temperature: 230° F

Heat Output: 507 BTUH @ 155° F
Entering Water Temperature

I WYZf,
21 lbs.



NOTE: Valve rough-in centers may vary from 18 1/2" - 19" depending on valve spud insertion depth.



Standard Valve Set - STDVKIT
The set includes one (1) FF16WAC adjustable and (1) FF16LAC non-adjustable 1/2" valve. Available only with chrome angle body and white handles



Modern Valve Set - V16A
"Angle" or V165 "Straight" pattern. Straight valves are normally used when the pipes come from the floor instead of the wall. Available in matching finishes.



Cross Handle Valve Set - CHV16
The set includes two (2) Cross Handle valves. The Cross Handle valves are only available in an angle pattern and are available in matching finishes.



Sleeve Kit - SK16 The set includes two (2) .656" I.D. x 3" brass sleeves and two (2) 2" diameter brass escutcheons. Available in matching finishes.

Optional valves and sleeve kits are recommended and available from **MYSON**.



10 Year Warranty
MYSON European Tradition Towel Warmers are covered by a 10 year warranty.

Quality certificates



PROJECT NAME:
ARCHITECT:
ENGINEER:
SUBMITTED DATE:

APPROVED DATE:

