

General

Provide MYSON ERR CONTEMPORARY DESIGNER electric towel warmer including accessories as scheduled. Contemporary Designer towel warmers, available in 4 sizes, are made of brass tube and fittings in a variety of finishes. The ERR electric towel warmer is ETL approved.

Each ECM towel warmer is constructed with 1-1/4" diameter vertical and 1" diameter horizontal bars. Integral wall mounting lugs are welded onto the back and an adjustable four point mounting kit in a matching finish is included. The towel warmers are equipped with an ISO 9001 certified PTC smart thermo control element and a back lit on/off rocker switch (Figure 1). Each unit is filled to a precise level with a glycol based heat transfer fluid for optimum convective flow, providing a constant surface temperature. Every unit is factory tested to insure the finest quality product with design temperature output.

Standard Connection:
single gang box

Electrical Specifications:
120 Vac 60 Hz (see below)

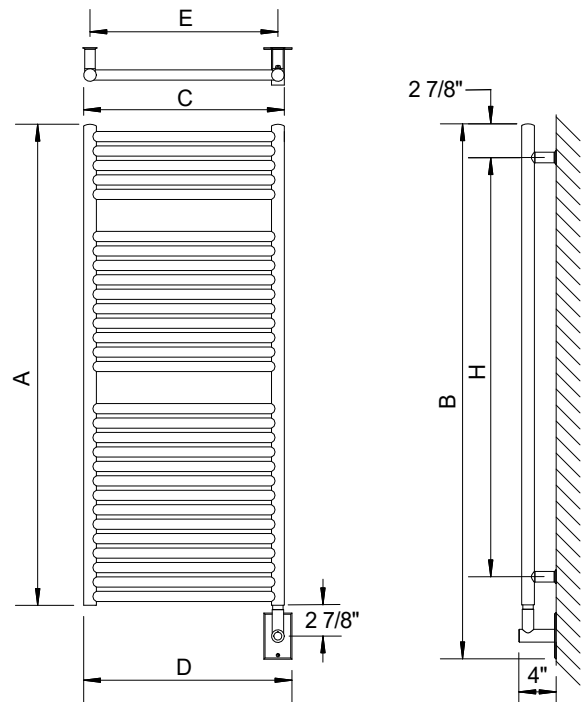
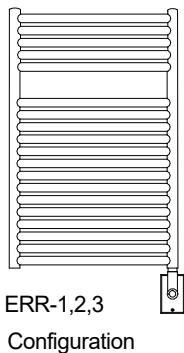
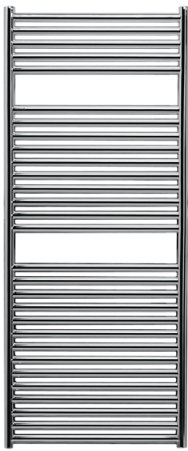
Weight:
(see below)



Figure 1

Available Finishes:

Polished Chrome, Polished Nickel, Satin Nickel, Regal Brass, Oil-Rubbed Bronze, White



| MODEL | Dim "A" | Dim "B" | Dim "C" | Dim "D" | Dim "E" | Dim "H" | Watts* | Amps | Wgt.(lbs) |
|-------|----------|-----------|---------|---------|---------|---------|------------------|--------------|-----------|
| ERR1 | 30 9/16" | 35 11/16" | 19 3/4" | 20 1/2" | 18 1/2" | 24" | 230 PL 330 PA | 2.09 3.00 | 41 |
| ERR2 | 30 9/16" | 35 11/16" | 23 5/8" | 24 3/8" | 22 3/8" | 24" | 240 PL 355 PA | 2.18 3.23 | 47 |
| ERR3 | 30 9/16" | 35 11/16" | 29 1/2" | 30 1/4" | 28 1/4" | 24" | 300 PL 435 PA | 2.73 3.95 | 58 |
| ERR4 | 47 1/8" | 52 1/4" | 19 3/4" | 20 1/2" | 18 1/2" | 40 3/4" | 370 PL 500 PA | 3.63 4.54 | 61 |

* Represents draw at steady state. Power could be higher during warm up.

PL = Plated Finishes
PA = Painted Finishes



Warranty:
MYSON European Tradition Towel Warmers are covered by a 10 year warranty.

An optional **ST01C** programmable timer is recommended and available from **MYSON**.



Quality certificates



PROJECT NAME:
ARCHITECT:
ENGINEER:
SUBMITTED DATE:

APPROVED DATE:

