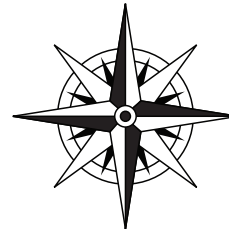


# Cape Collection

Premium Fireclay Farmhouse Apron Kitchen Sink



# Nantucket

S I N K S

model:

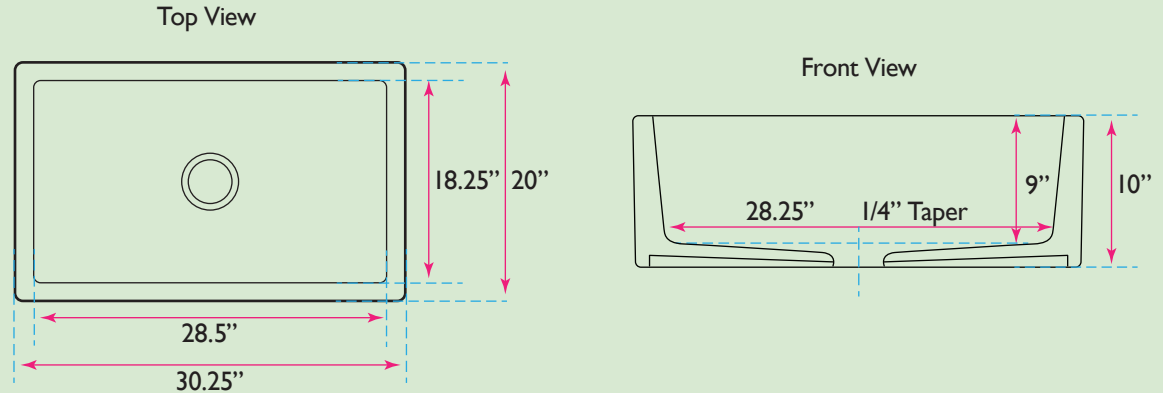
## Garland-30W

[www.NantucketSinksUSA.com](http://www.NantucketSinksUSA.com)

[info@nantucketsinksusa.com](mailto:info@nantucketsinksusa.com)



SPECS



OVERALL DIMENSIONS	INTERIOR BOWL	APRON HEIGHT	BOWL DEPTH	DRAIN DIMENSION
30.25" x 20"	28.25" x 18.25"	10"	9.5" (center); 9"	3.5" Opening

### FEATURES:

- Fireclay is hygienic, with a glazed surface that inhibits bacterial growth better than stainless steel
- Made in Italy
- Premium Fireclay Sink with Decorative Apron
- Limited warranty
- Nominal Dimensions\* - actual dimensions may vary by .5"
- Professional installation recommended - heavy requires 2 people lift
- Template not included
- Drain hole is 3.5" standard opening - may require extended flange/ferrule due to sink thickness
- Custom/apron base required - measurements taken from actual sink

Project Name: \_\_\_\_\_

Architect / Contractor: \_\_\_\_\_

Job Notes: \_\_\_\_\_

\_\_\_\_\_

\_\_\_\_\_