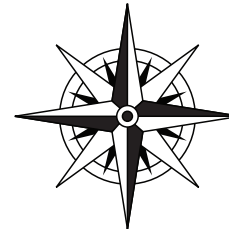


GlacierStone Collection

Apron Front Prep Station Kitchen Sink



Nantucket

S I N K S

model:

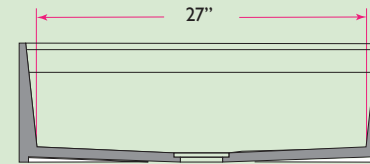
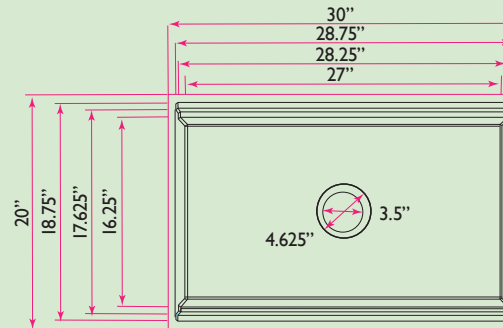
NS-PS-3020W

www.NantucketSinksUSA.com

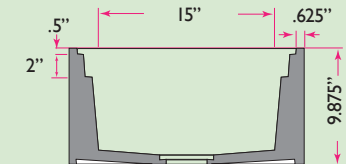
info@nantucketsinksusa.com



SPECS



FRONT VIEW



SIDE VIEW



OVERALL DIMENSIONS	INTERIOR BOWL	INTERIOR LEDGE DIMENSIONS	BOWL DEPTH	DRAIN OPENING
30" x 20" x 9.875"	27" x 15" (basin)	28.75" x 18.75" 28.25" x 17.625"	9"	3.5" Opening

FEATURES:

- Premium GlacierStone kitchen sink
- Colander, colander drain and maple cutting board included
- 9" Bowl depth
- Warranty against discoloration - 15 years
- Heat resistant to 500°F
- Solid material - scratches can be sanded with included kit
- Meets CSA B45.5-17/IAMP0 Z124-2017



Project Name: _____

Architect / Contractor: _____

Job Notes: _____
