

Pro Series Collection

Premium Stainless Steel Small Radius Undermount Kitchen Sink

model:

SR4419-16-DB

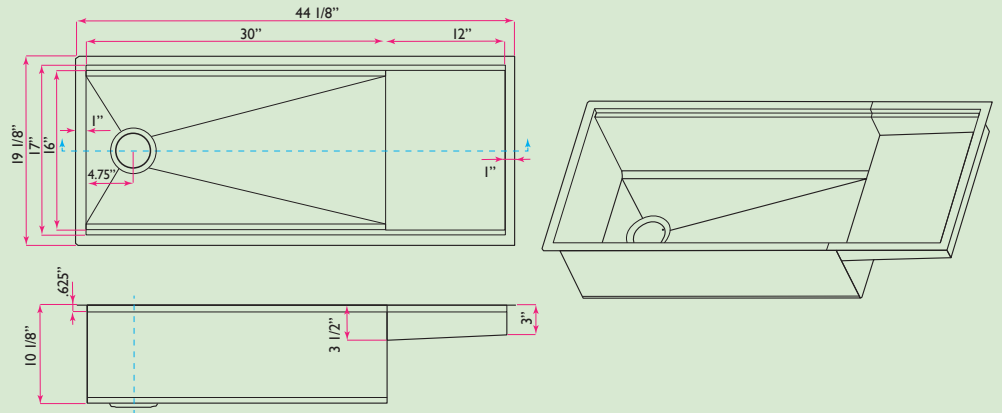


Nantucket
S I N K S

www.NantucketSinksUSA.com
info@nantucketsinksusa.com



SPECS



OVERALL DIMENSIONS	INTERIOR BOWL(S)	INTERIOR BOWL DEPTH	BOWL DEPTH	BOTTOM GRID
44" x 19"	30" x 16"	30" x 16"; 30" x 17"	10"	Included

FEATURES:

- Premium 304, 16 gauge stainless steel kitchen sink
- Deluxe Rolling Mat and colander fit ledge
- 10" Bowl Depth
- Deluxe Rolling Mat, Colander, Colander Drain and Grid included
- Limited lifetime manufacturer's warranty
- Brushed satin finish
- Insulated to reduce condensation
- Rubber padding is applied for noise reduction
- Professional installation recommended
- Meets ASME A112.19.3-2017

Project Name: _____

Architect / Contractor: _____

Job Notes: _____
