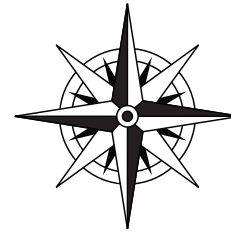


# Cape Collection

18 Inch Undermount Fireclay Kitchen Sink



# Nantucket

SINKS

model:

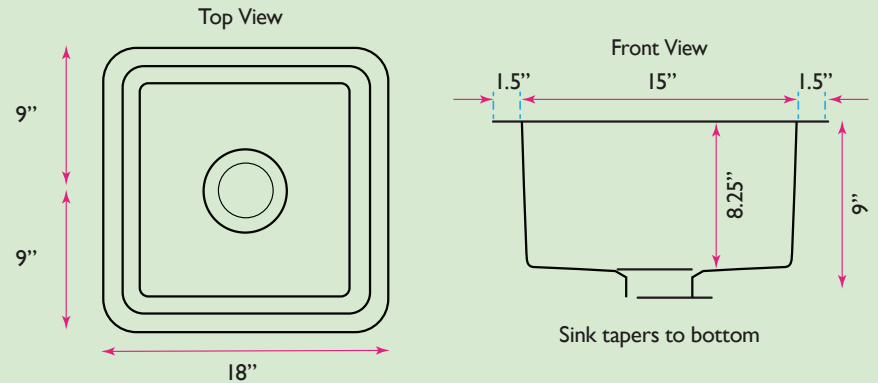
**WELLFLEET-1818W**

[www.NantucketSinksUSA.com](http://www.NantucketSinksUSA.com)

[info@nantucketsinksusa.com](mailto:info@nantucketsinksusa.com)



SPECS



OVERALL DIMENSIONS	INTERIOR BOWL	BOWL DEPTH	COMPATIBLE GRID(S)	DRAIN DIMENSIONS
18" x 18" x 9"	15" x 15" x 8.25"	8.25	Included	3.5" Opening

## FEATURES:

- Fireclay is hygienic, with a glazed surface that inhibits bacterial growth better than stainless steel
- Colander drain and grid included (Lux accessory pkg.)
- Finished glazed top edge, may be reveal mounted
- Limited lifetime manufacturer's warranty
- Mounting hardware not included
- Under mount Installation
- Nominal Dimensions\*- actual dimensions may vary by .25"
- Professional installation recommended
- Template not included

*Project Name:* \_\_\_\_\_

*Architect / Contractor:* \_\_\_\_\_

*Job Notes:* \_\_\_\_\_

\_\_\_\_\_

\_\_\_\_\_