

Pro Series Collection

32 Inch Zero Radius Undermount
Stainless Steel Kitchen Sink

model:

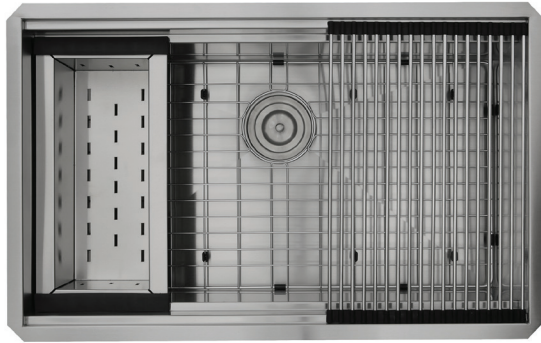
ZR-PS-3220-16



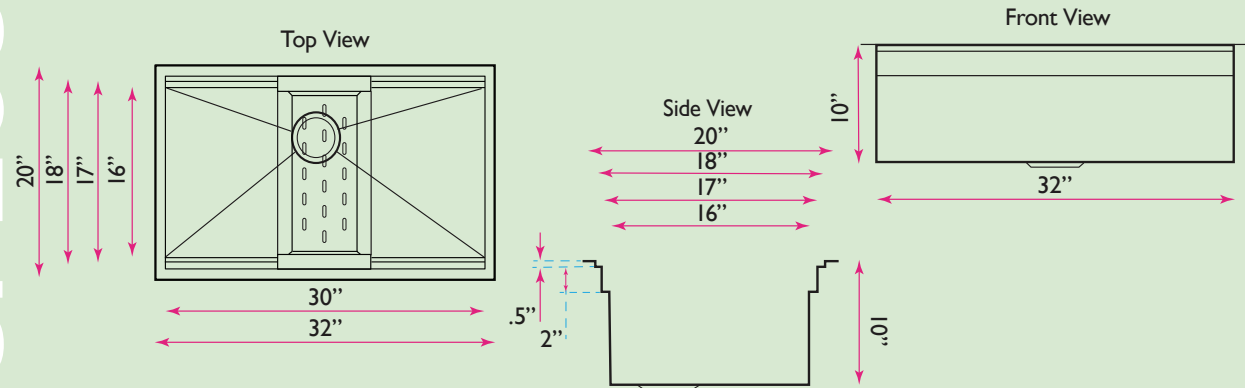
Nantucket

S I N K S

www.NantucketSinksUSA.com
info@nantucketsinksusa.com



SPECS



OVERALL DIMENSIONS	INTERIOR BOWL	INTERIOR LEDGE DIMENSIONS	BOWL DEPTH	BOTTOM GRID
32" x 20"	30" x 16"	30" x 18"; 30" x 17"	10"	Included

FEATURES:

- Premium 304, 16 gauge stainless steel kitchen sink
- Mat, colander drain and grid included (Lux accessory pkg.)
- Colander (fits 16" ledge)
- Brushed satin finish
- Limited lifetime manufacturer's warranty
- Insulated to reduce condensation
- Rubber padding is applied for noise reduction
- Professional installation recommended

Project Name: _____

Architect / Contractor: _____

Job Notes: _____
