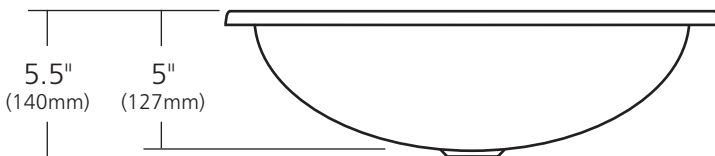
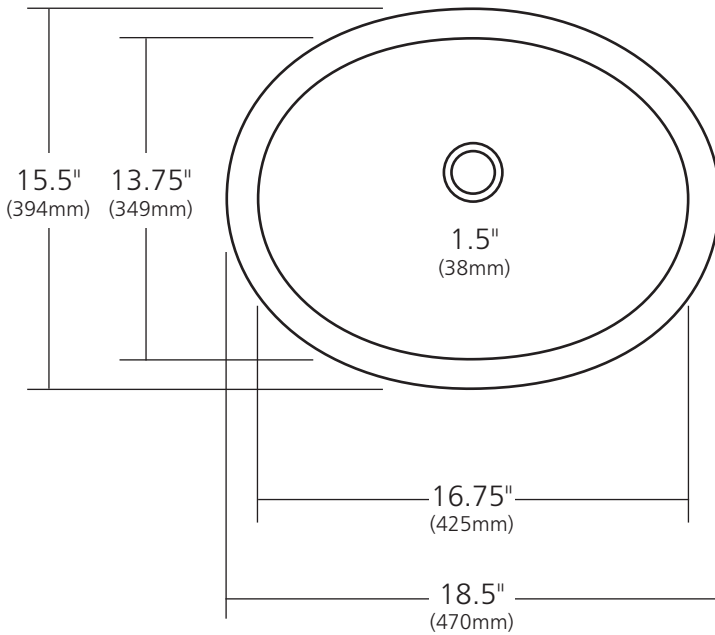


SPECIFICATIONS

ROLLED CLASSIC



CPS240- Antique
CPS540- Brushed Nickel



PRODUCT DETAILS

- 18.5" x 15.5" x 5.5" OD (470mm x 394mm x 140mm)
- 16.75" x 13.75" x 5" ID (425mm x 349mm x 127mm)
- Hand hammered 18 gauge recycled copper
- 1.5" (38mm) drain opening
- Dimensions are not exact and may vary $\pm 1/2"$ (13mm)

*This product may be customized.
See nativetrails.net/customization for details.*

INSTALLATION

- Drop-in

COORDINATING PRODUCTS

- Drains: DR120, DR130, DR150 or DR160
- MetalProtect™

STANDARDS COMPLIANCE

- UPC/cUPC compliant
- **ADA**  **COMPLIANT**

IMPORTANT

Due to the handcrafted nature of this product, it will vary in finish, texture, hammering, and other details. Dimensions may vary up to 1/2" (13mm). We strongly recommend waiting for the actual product before making any installation cuts.