

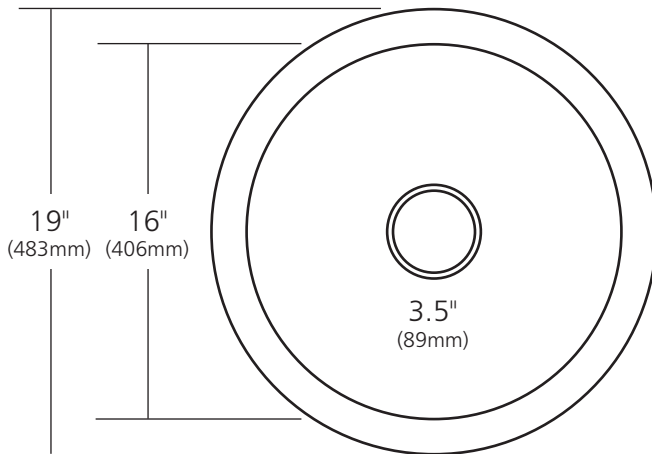
SPECIFICATIONS

FIESTA

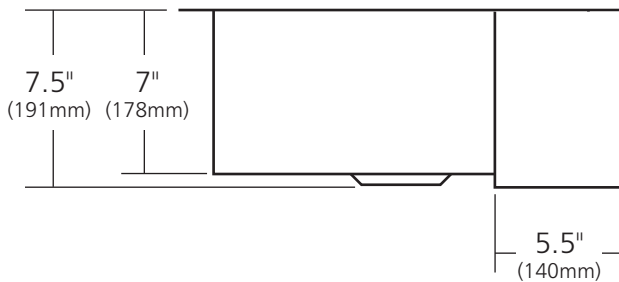


CPS214- Antique
CPS514- Brushed Nickel

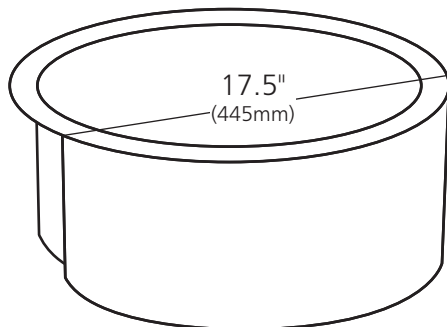
TOP VIEW



SIDE VIEW



PERSPECTIVE VIEW



PRODUCT DETAILS

- 19" x 7.5" OD (483mm x 191mm)
- 16" x 7" ID (406mm x 178mm)
- Hand hammered 16 gauge recycled copper
- Apron extends 5.5" (140mm) on sides
- 3.5" (89mm) drain opening
- Dimensions are not exact and may vary $\pm 1/2"$ (13mm)

*This product may be customized.
See nativetrails.net/customization for details.*

INSTALLATION

- Undermount

COORDINATING PRODUCTS

- Drains: DR320 or DR340
- Bottom Grid: GR914

STANDARDS COMPLIANCE

- UPC/cUPC compliant

IMPORTANT

Due to the handcrafted nature of this product, it will vary in finish, texture, hammering, and other details. Dimensions may vary up to 1/2" (13mm). We strongly recommend waiting for the actual product before making any installation cuts.