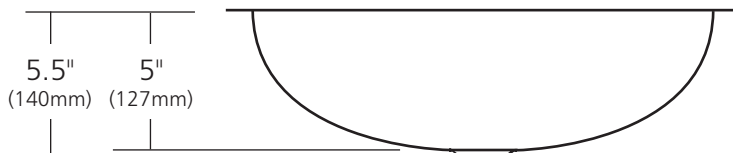
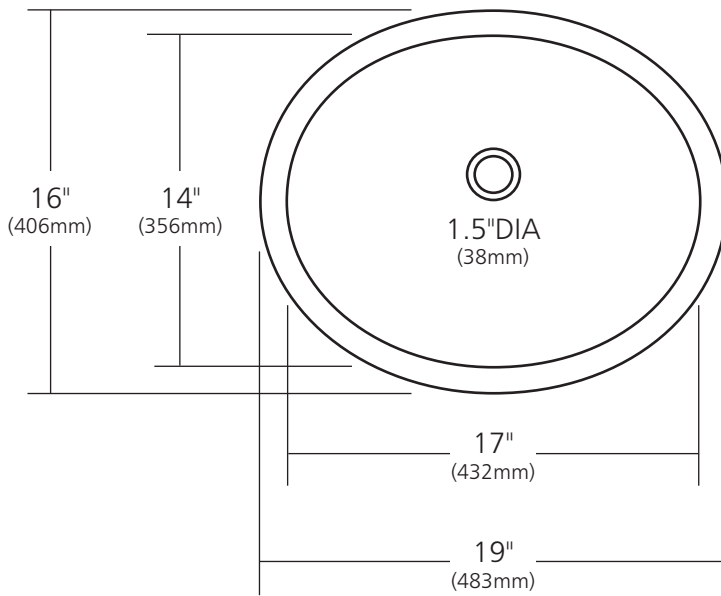


SPECIFICATIONS

CLASSIC



- CPS268- Antique
- CPS568- Brushed Nickel
- CPS468- Polished Copper
- CPS868- Polished Nickel

PRODUCT DETAILS

- 19" x 16" x 5.5" OD (483mm x 406mm x 140mm)
- 17" x 14" x 5" ID (432mm x 356mm x 127mm)
- Hand hammered 18 gauge recycled copper
- 1.5" (38mm) drain opening
- Dimensions are not exact and may vary $\pm 1/2"$ (13mm)

*This product may be customized.
See nativetrails.net/customization for details.*

INSTALLATION

- * Undermount

COORDINATING PRODUCTS

- Drains : DR120, DR130, DR150 or DR160
- MetalProtect™

STANDARDS COMPLIANCE

- UPC/cUPC compliant
- **ADA**  COMPLIANT

IMPORTANT

Due to the handcrafted nature of this product, it will vary in finish, texture, hammering, and other details. Dimensions may vary up to 1/2" (13mm). We strongly recommend waiting for the actual product before making any installation cuts.