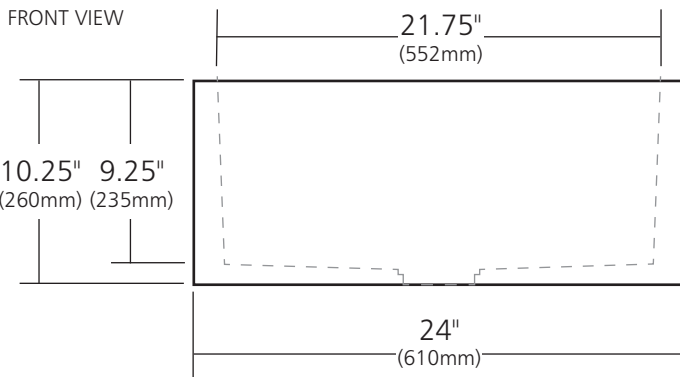
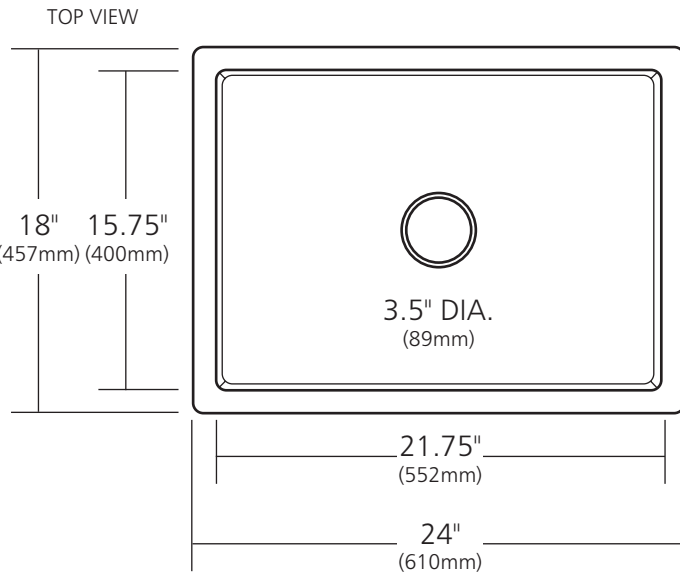


*SPECIFICATIONS*

**FARMHOUSE 2418**

NativeStone® Collection



NSK2418-A Ash  
 NSK2418-S Slate  
 NSK2418-P Pearl

**PRODUCT DETAILS**

- 24" x 18" x 10.25" OD (610mm x 457mm x 260mm)
- 21.75" x 15.75" x 9.25" ID (552mm x 400mm x 235mm)
- 3.5" (89mm) drain opening
- Handcrafted from sustainable NativeStone®
- Sealed with impermeable nano sealer

**INSTALLATION**

- Undermount
- Apron-front visible or concealed apron

**COORDINATING PRODUCTS**

- Drains: DR320 or DR340
- Bottom Grid: GR2014
- NativeStone Sealer®

**STANDARDS COMPLIANCE**

- UPC/cUPC compliant

**IMPORTANT**

Do NOT use tape or other adhesives on NativeStone® as it may remove the sealer.

Due to the handcrafted nature of this product, it will vary in finish, texture, and other details. Dimensions may vary up to .5" (13mm). We strongly recommend waiting for the actual product before making any installation cuts.