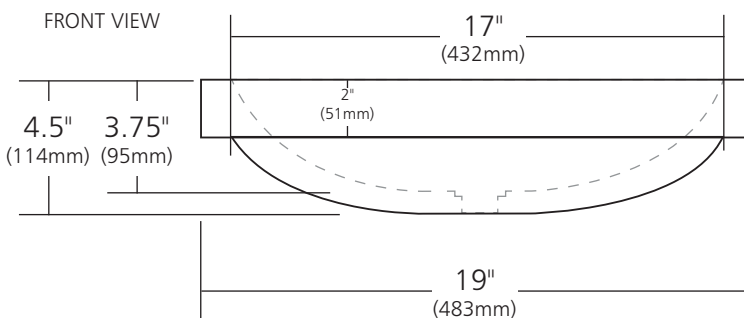
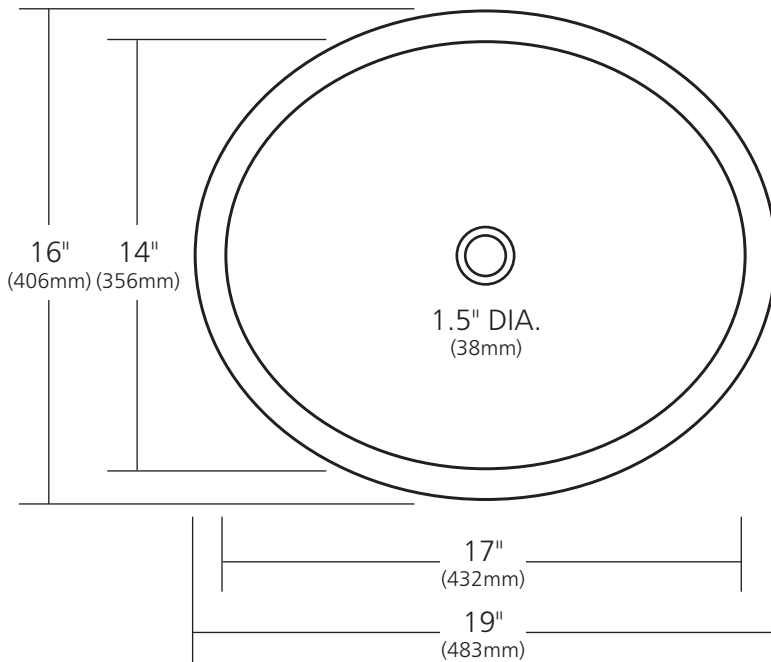


SPECIFICATIONS

TOLOSA

NativeStone® Collection

TOP VIEW



NSL1916-A Ash
 NSL1916-S Slate
 NSL1916-P Pearl

PRODUCT DETAILS

- 19" x 16" x 4.5" OD (483mm x 406mm x 114mm)
- 17" x 14" x 3.75" ID (432mm x 356mm x 95mm)
- 1.5" (38mm) drain opening
- Handcrafted from sustainable NativeStone®
- Sealed with impermeable nano sealer

INSTALLATION

- Drop-in or undermount

COORDINATING PRODUCTS

- Drains: DR120, DR130, DR150 or DR160
- NativeStone Sealer®

STANDARDS COMPLIANCE

- UPC/cUPC compliant
- **ADA** COMPLIANT

IMPORTANT

Do NOT use tape or other adhesives on NativeStone® as it may remove the sealer.

Due to the handcrafted nature of this product, it will vary in finish, texture, and other details. Dimensions may vary up to .5" (13mm). We strongly recommend waiting for the actual product before making any installation cuts.