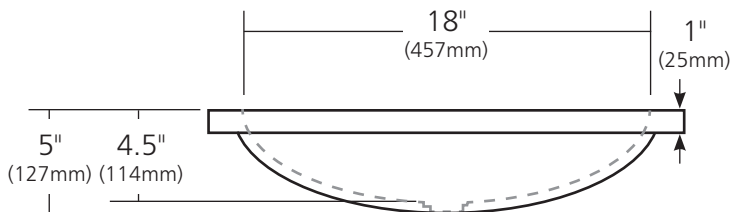
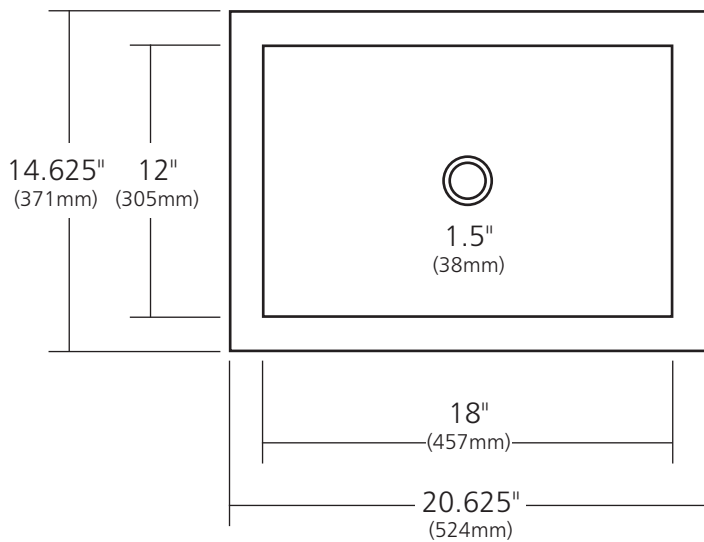


SPECIFICATIONS

CABRILLO

NativeStone™ Collection



NSL2014-A Ash
NSL2014-S Slate
NSL2014-P Pearl

PRODUCT DETAILS

- 20.625" x 14.625" x 5" OD (524mm x 371mm x 127mm)
- 18" x 12" x 4.5" ID (457mm x 305mm x 114mm)
- 1.5" (38mm) drain opening
- Handcrafted from sustainable NativeStone™
- Sealed with impermeable nano sealer

INSTALLATION

- Undermount

COORDINATING PRODUCTS

- Drains: DR120, DR130, DR150 or DR160
- NativeStone Sealer®

STANDARDS COMPLIANCE

- UPC/cUPC compliant
- **ADA** COMPLIANT

IMPORTANT

Do NOT use tape or other adhesives on NativeStone® as it may remove the sealer.

Due to the handcrafted nature of this product, it will vary in finish, texture, and other details. Dimensions may vary up to 1/2" (13mm). We strongly recommend waiting for the actual product before making any installation cuts.