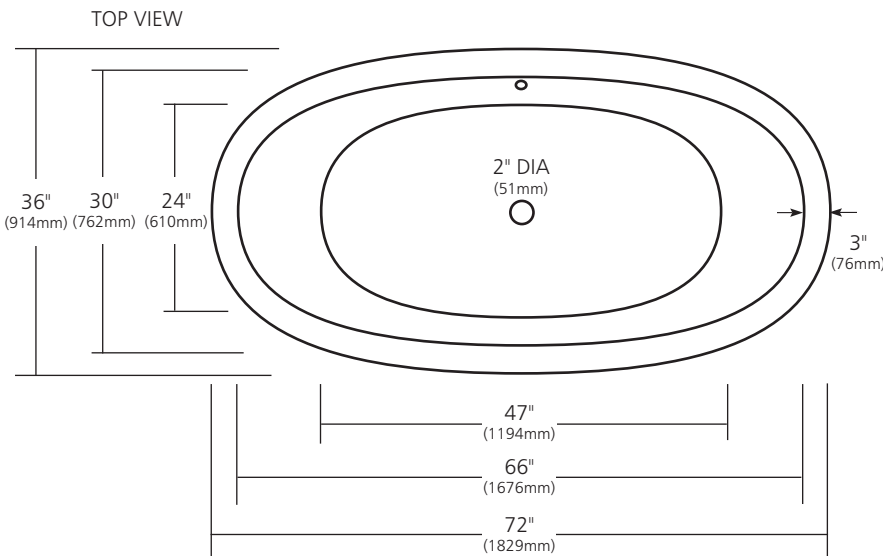


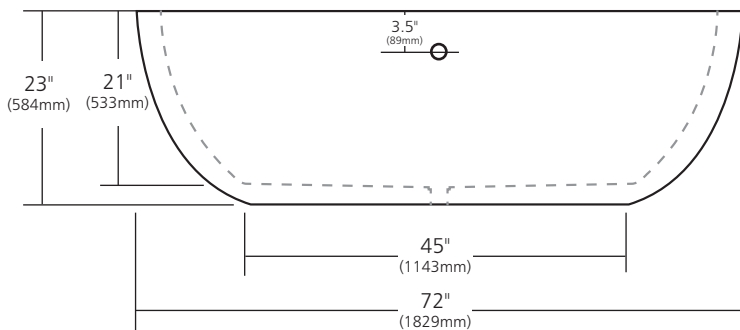
SPECIFICATIONS

72" AVALON

NativeStone® Collection



REAR VIEW



NST7236-A Ash
 NST7236-S Slate
 NST7236-P Pearl

PRODUCT DETAILS

- 72" x 36" x 23" OD (1829mm x 914mm x 584mm)
- 2" (51mm) drain opening
- Capacity: 105 gallons
- Weight: 900lbs
- Sealed with impermeable nano sealer
- Handcrafted from sustainable NativeStone®

INSTALLATION

- Freestanding bathtub

COORDINATING PRODUCTS

- Push to Seal Bath Waste & Overflow: DR290
- NativeStone Sealer®

STANDARDS COMPLIANCE

- UPC/cUPC compliant

IMPORTANT

Do NOT use tape or other adhesives on NativeStone® as it may remove the sealer.

Due to the handcrafted nature of this product, it will vary in finish, texture, hammering, and other details. Dimensions may vary up to .5" (13mm). We strongly recommend waiting for the actual product before making any installation cuts.