

Features

- Modular Vertically Mounted Light for M Series Cabinets
- Glass lens plane is flush with M Door
- Available in Warm White (3000K), Natural White (4000K) and Variable color temperature (adjustable between 3000K and 4000K).
- LEDs are CRI 90 and dimmable
- Available as a single fixture - with dimmable driver
- Includes installation hardware for attaching one side to a cabinet
- Can be recessed or surface mounted (surface kit required)

ML3.540ILSFMRD3
ML3.540ILSFMRD4
ML3.540ILSFMRDV

Construction

- Aluminum Chassis and Light Frame
- Available in Satin Anodize Aluminum
- Front frosted mirror glass lens
- Lens attaches with set screw - top and bottom
- Internal light diffuser evenly distributes light
- Housing w/ Gasket - Matches cabinet and color
- Standard knock out for 1/2" cable connector
- Wired internally - Front access serviceability
- MGKIT for easy mounting to Robern cabinets

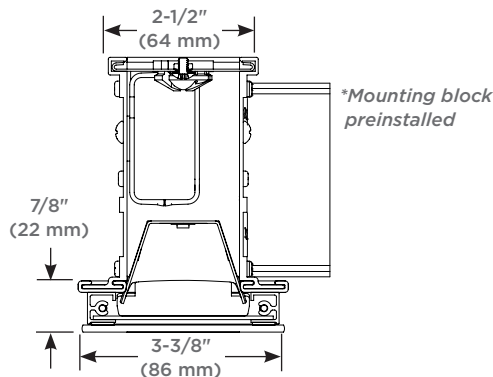
Codes/Standards Applicable

Specified model meets or exceeds the following:

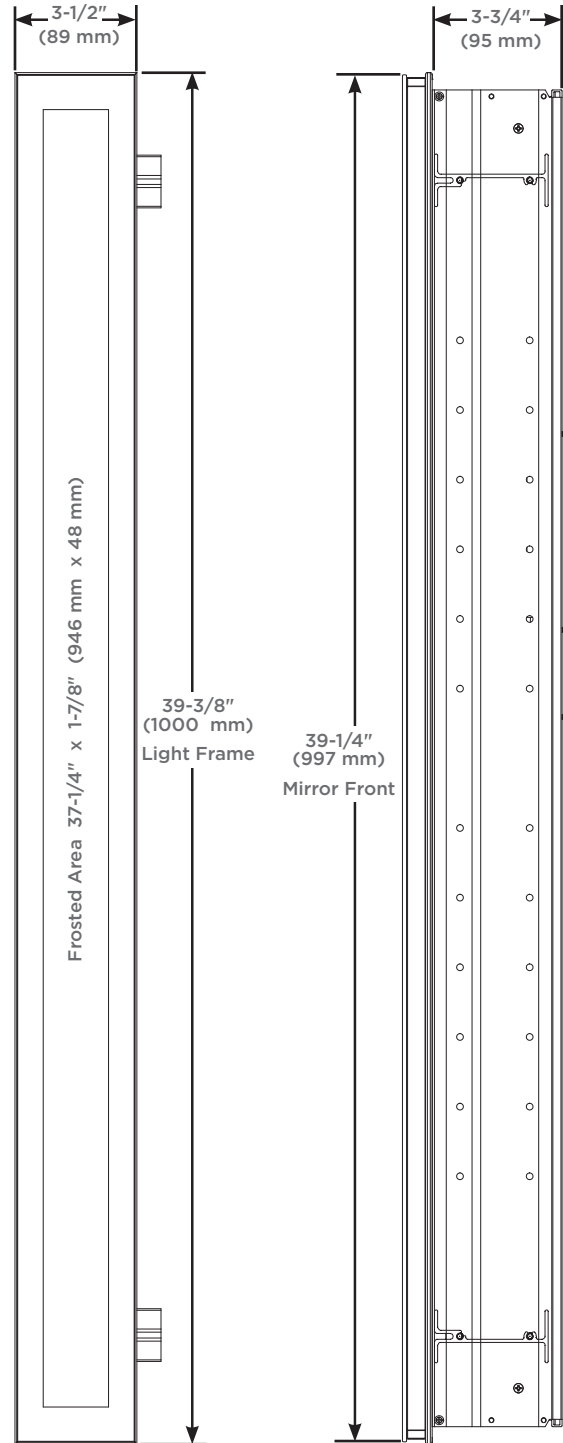
- ETL certified (damp locations) to:
UL 1598
CSA C22.2 NO.250.0

Dimensions

- Height: 39-3/8" (1000 mm)
Width: 3-1/2" (89 mm)
Depth: 4-5/8" (117 mm) When surface mounted
7/8" (22 mm) When recessed



Cross Section - Top View



Front View

Side View

Installation Options

Recessed Mount (Note: This fixture adds 3-1/2" (89 mm) per light to the overall rough-in width)

Rough Opening - 38-5/8" H x 2-3/4" W x 4" D
(981 mm H x 70 mm W x 102 mm D)

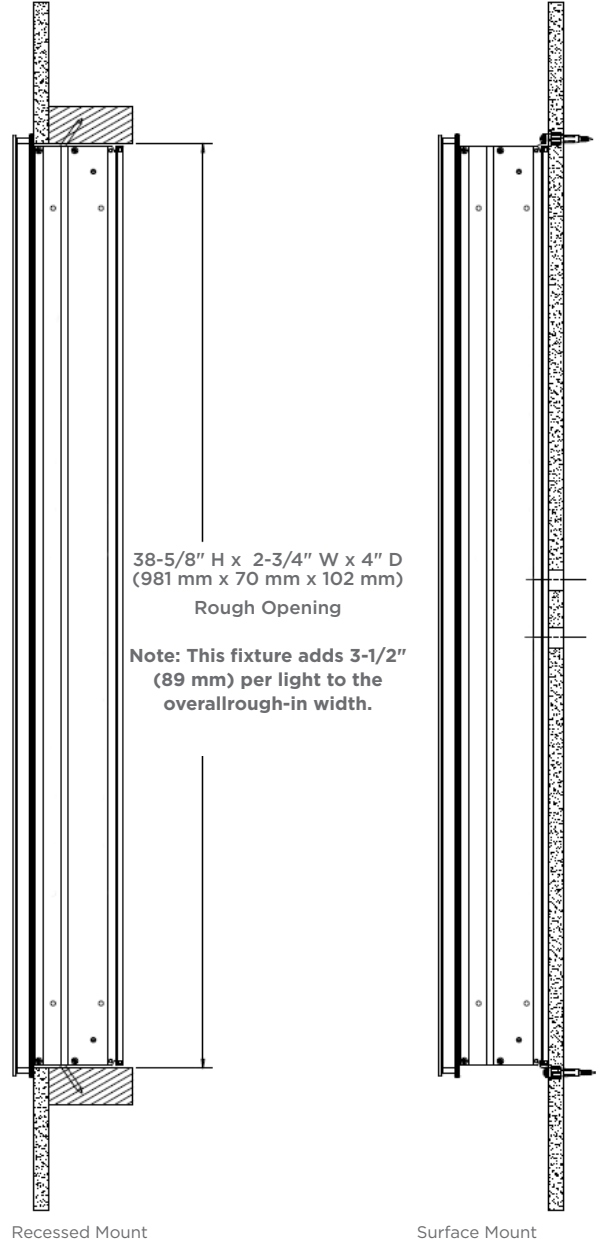
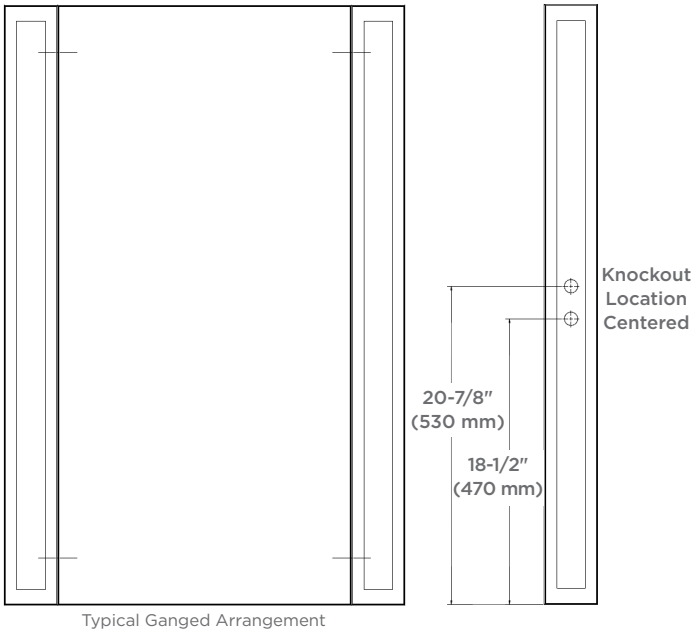
Surface Mount - Reference Surface Mount Kit when ordering
MSMK40D4B - Beveled Mirror Kit
MSMK40D4P - Plain Mirror Kit
MSMK40D4## - Decorative Kit

Gangs to M Series 4" Cabinet (D6 and D8 only when recessed) - Reference M Ganging Kit when ordering - MGKIT

Note: An additional MGKIT is required per light when mounting cabinets on both sides of the light

Electrical System

- 120 VAC 60HZ 30W (60W for "V" Model)
- Class 2- Dimming Transformer
- Line voltage dimming with specified dimmer control
- (US) ETL and (Can) ETL Listed for Damp Locations
- Field wire location as shown in drawing
- Two 1/2" conduit (Ø 7/8" actual) electrical knockout locations shown below
- Robern recommends the Maestro® C•L® Dimmers from LUTRON®, Model # MACL-153M.
- "V" Model requires 2 dimmers and 3 wire + ground cable



Model Number Key

M Light	Width	Height	Model	Lamp Type	Accent Color	Lens	Finish	Ballast Type	Color
ML	3.5(3-1/2")	40(39-3/8")	I (InLine)	L (LED)	S (Silver)	F (Frosted)	M (Mirror)	D (Dimmable)	3 - 3,000K 4 - 4,000K V - 3+4K Mix