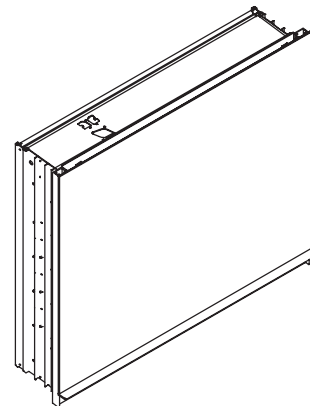


UC3027FPE

Features

- Unique vertically opening, no-swing door allows for zero clearance installations
- Position hold door-opening mechanism lets you open the door as low or as high as you need
- 60% recycled aluminum construction
- Rust-free anodized aluminum construction, no formaldehyde resins
- 1/4" (6 mm) thick adjustable clear glass shelves
- Aluminum handle for effortless two-finger lifting
- Interior mirror
- Electric column with six 1500 watt, 120VAC, 15A power outlets
- Discreet wiring enclosure for clutter-free cable management
- Auto-on high power, low wattage LED interior lighting
- 2725 cubic inches (44,655 cc) storage capacity with split compartment for maximum flexibility
- Recessed (frame and handle project 1-7/8" [4.8 cm]), semi-recessed 4" (10.2 cm) in wall (cabinet, frame and handle project 3-7/8" [9.8 cm]), or surface mount (cabinet, frame and handle project 7-5/8" [19.4 cm])



Codes/Standards Applicable

Specified model meets or exceeds the following:

- ETL listed
- Meets ADA requirements for door opening force for sliding doors

Specified Model

| Model | Description | |
|--|--|--------------------------|
| UC3027FPE | Uplift cabinet with electric | <input type="checkbox"/> |
| Required Accessories - For Surface Mount and Semi-Recessed Installations Only | | |
| USK27D6P | Uplift mirrored side kit - surface mount | <input type="checkbox"/> |
| USK27D6SR | Uplift mirrored side kit - semi-recess mount | <input type="checkbox"/> |
| Optional Accessories | | |
| UORGshelf20 | Uplift 20" (50.8 cm) organizer shelf | <input type="checkbox"/> |
| TVMOUNT20 | TV mount (accommodates up to 19" [48.3 cm] diagonal LCD television, width not to exceed 19-1/2" [49.5 cm]) | <input type="checkbox"/> |
| POMM | Pull-out 3X magnifying mirror | <input type="checkbox"/> |
| UBK30D6A | Aluminum top and bottom kit for surface mount installations (required when top or bottom is visible) | <input type="checkbox"/> |
| UBK30D6ASR | Aluminum top and bottom kit for semi-recessed installations (required when top or bottom is visible) | <input type="checkbox"/> |
| UFLPAL | Uplift pendant light with night light | <input type="checkbox"/> |
| UFLWAL | Uplift wall sconce with night light | <input type="checkbox"/> |

UPLIFT™ CABINET

Technical Information

| | |
|--------------------------------------|---|
| Roughing-in opening (fully recessed) | 28-3/4" (73 cm) width x 26-1/4" (66.7 cm) height x 6" (15.2 cm) depth |
| Roughing-in opening (semi-recessed) | 28-3/4" (73 cm) width x 26-1/4" (66.7 cm) height x 4" (10.2 cm) depth |

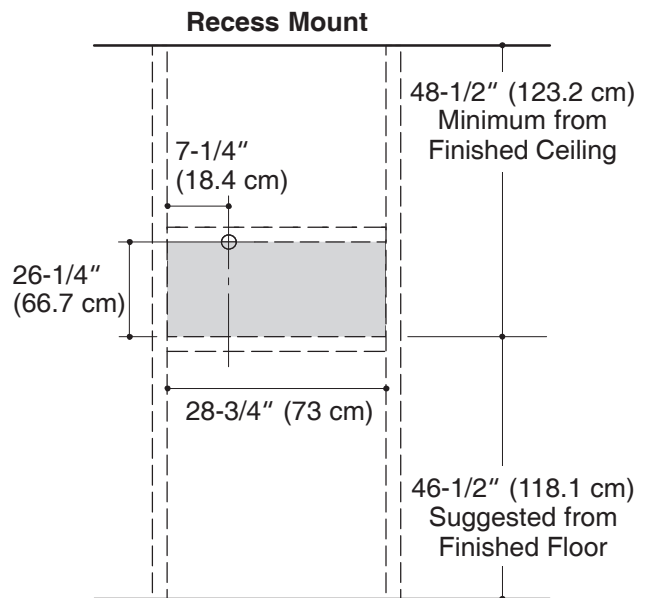
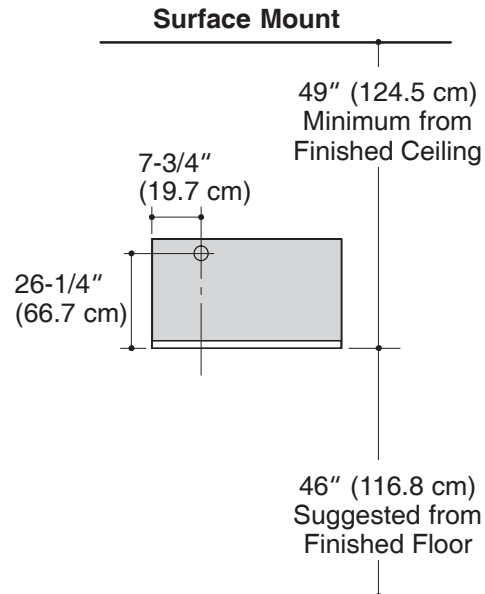
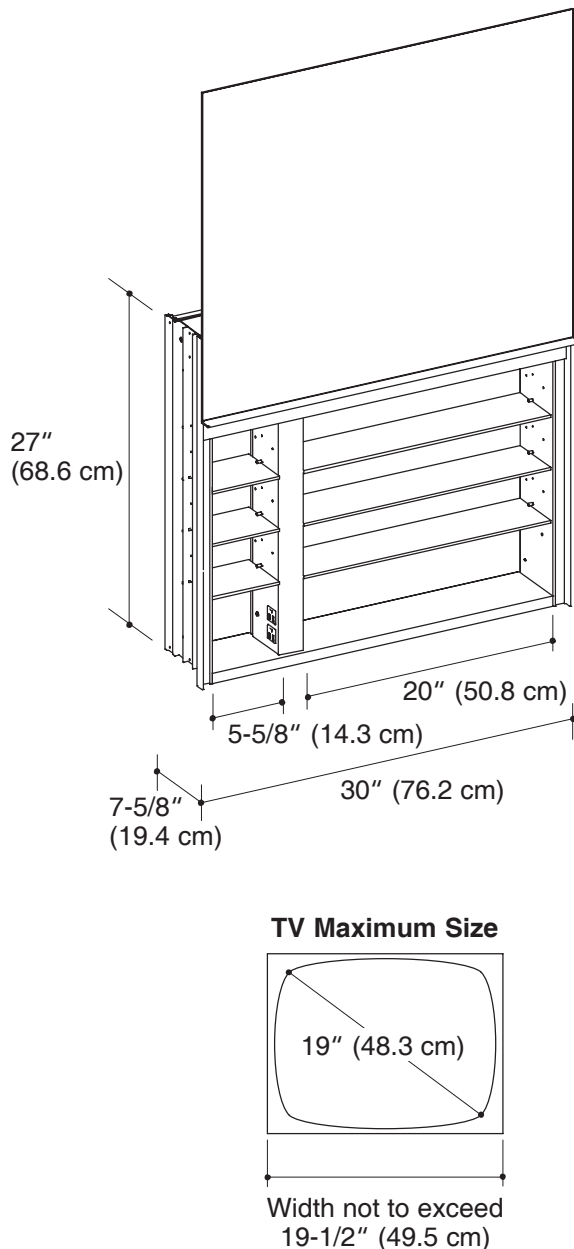
Installation Notes

Install this product according to the installation guide.

Secure the screws (provided) to a stud to avoid possible property and product damage. If this is not possible, anchors (provided) must be inserted before installing the screws.

This cabinet can be surface mounted, semi-recessed or fully recessed. To semi-recess, cabinets require 4" (10.2 cm) deep opening (2x4 wall). Fully recessed cabinets require 6" (15.2 cm) deep opening (2x6 wall).

Electrical rough-in cable should extend 24" (61 cm) out of wall. Other cables should extend 48" (121.9 cm) from wall.



Product Diagram