

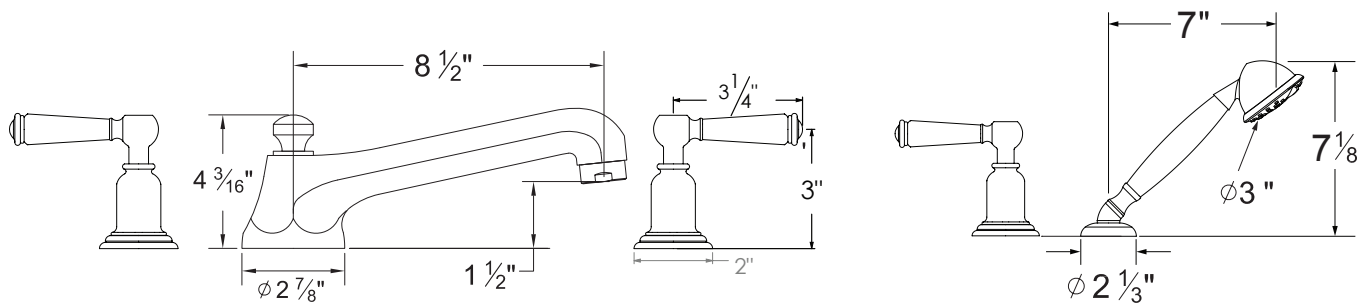
PRODUCT SPECIFICATION SHEET

ITEM # 1855EP-TM

TRIM

Roman tub filler with hand shower

- "EP" style handles
- Includes backflow preventor
- Single function sprayer
- 16 GPM
- ROUGH NOT INCLUDED
- USE P0007 ROUGH



The measurements shown are for reference only. Products and specifications shown are subject to change without notice.

www.santecfaucet.com | P: 310.542.0063 F: 310.542.5681