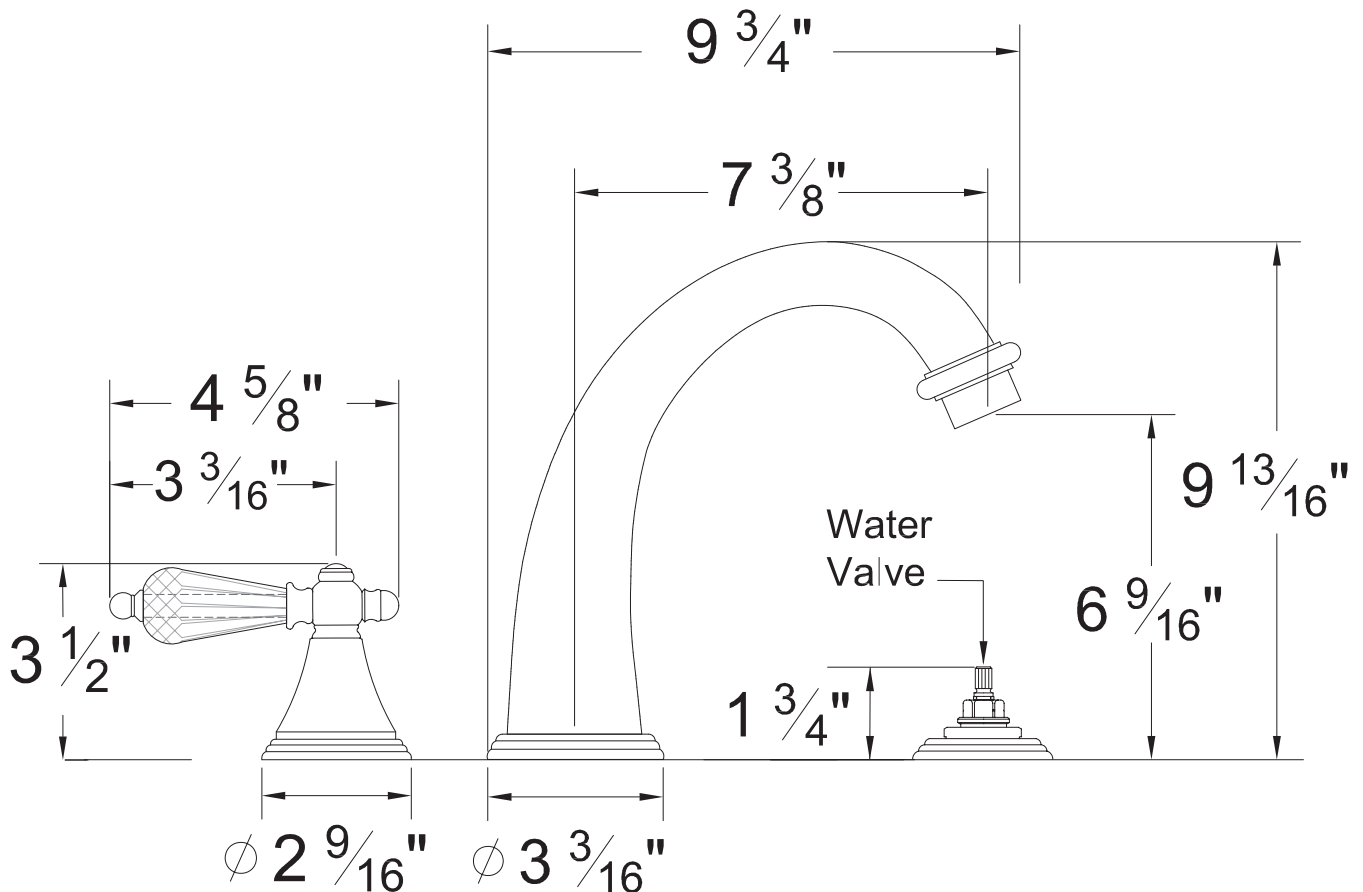


PRODUCT SPECIFICATION SHEET

ITEM # 2250KC-TM
TRIM
Roman tub filler

- "KC" style handles
- 16 GPM
- ROUGH NOT INCLUDED
- USE P0006 ROUGH



The measurements shown are for reference only. Products and specifications shown are subject to change without notice.