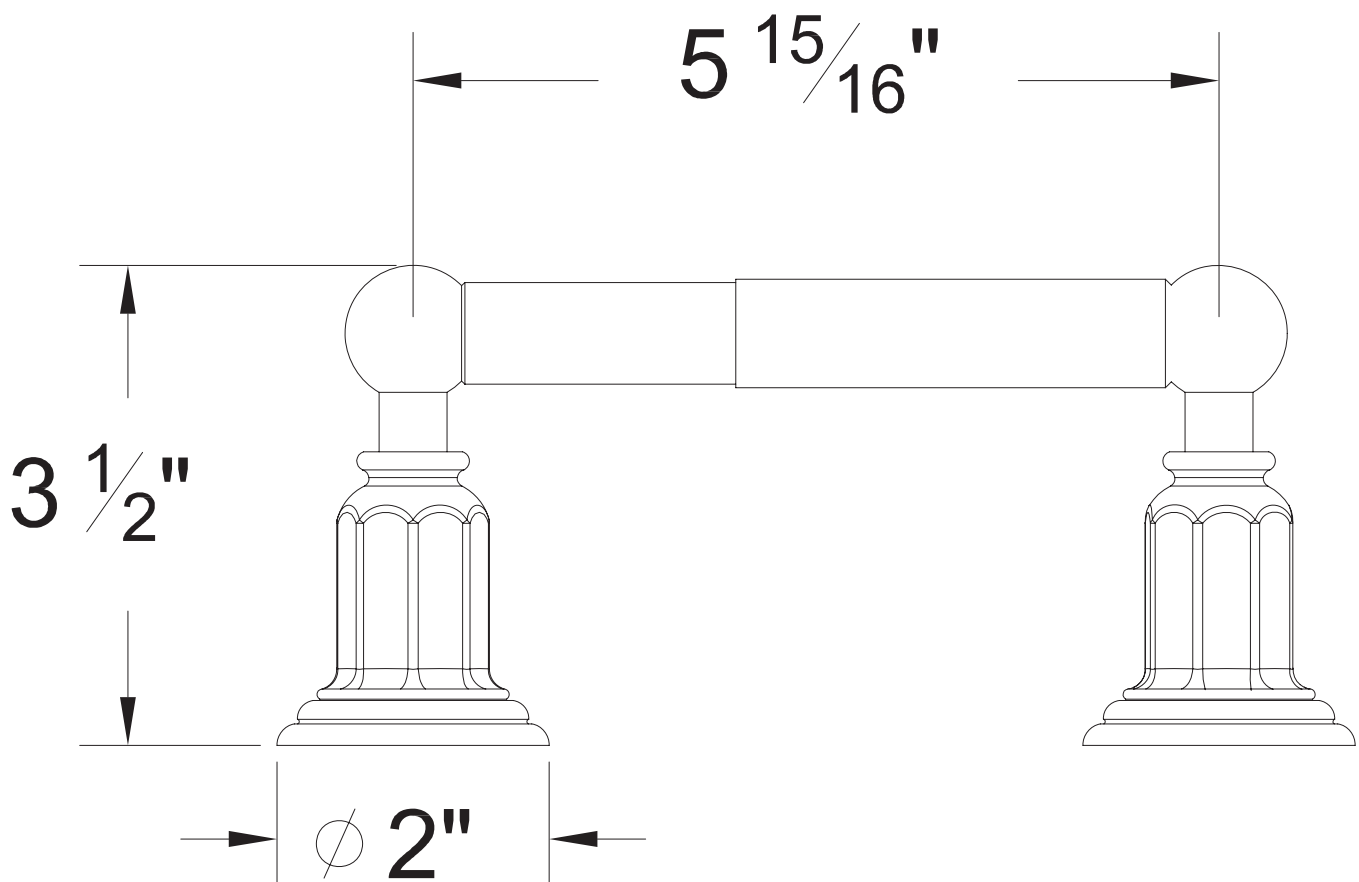


PRODUCT SPECIFICATION SHEET

**ITEM # 2965EU**  
**Paper holder**

- Matches EC handles



The measurements shown are for reference only. Products and specifications shown are subject to change without notice.

[www.santecfaucet.com](http://www.santecfaucet.com) | P: 310.542.0063 F: 310.542.5681