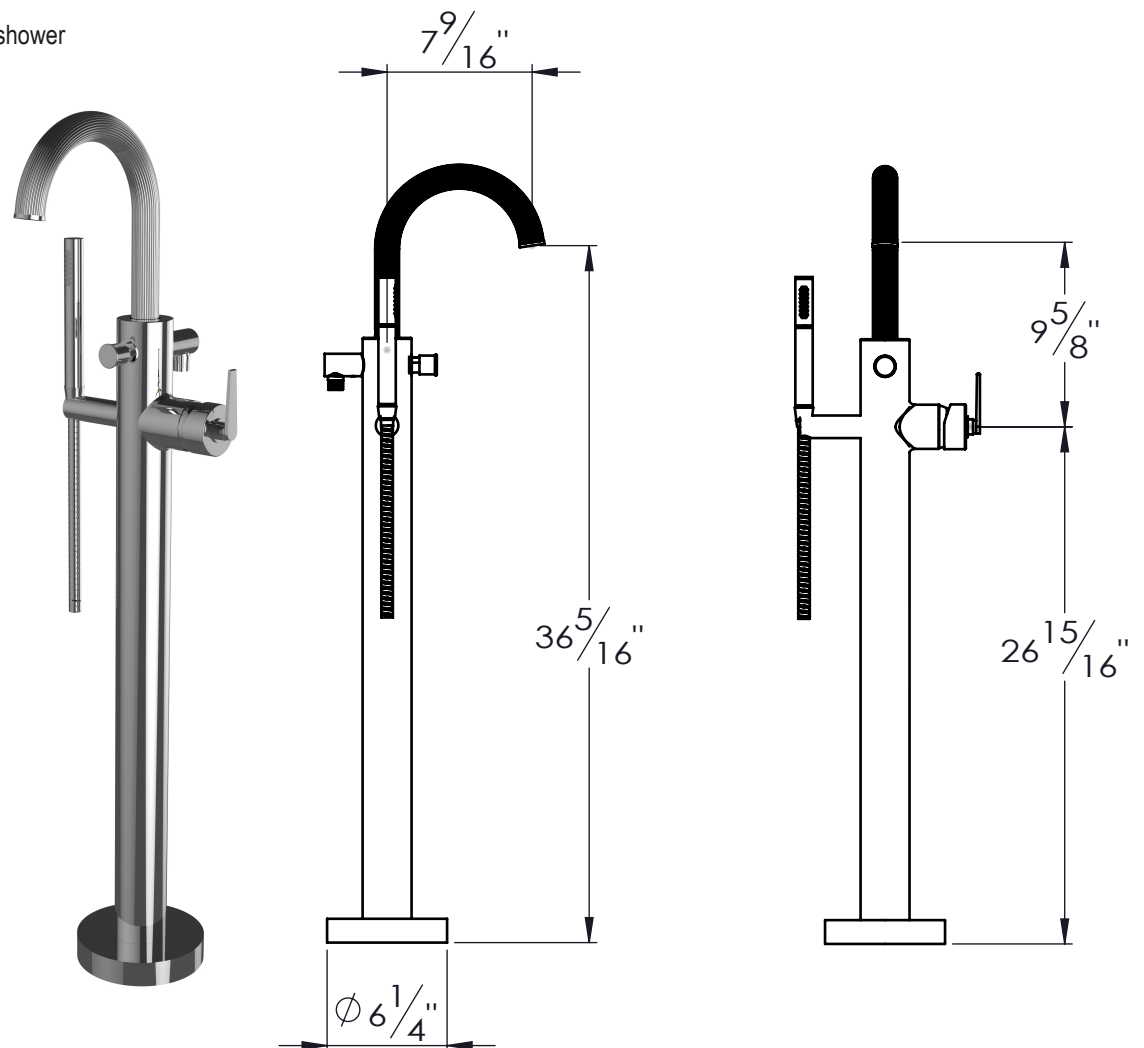


PRODUCT SPECIFICATION SHEET

ITEM # 3494HO-TM Floor mount tub filler with hand shower

- "HO" style handles
- 12 GPM
- Hand shower hose 57" long
- Hand shower is 1.8 GPM
- USE P0800 ROUGH
- ROUGH NOT INCLUDED
- Single function hand shower
- Maximum PSI 80



The measurements shown are for reference only. Products and specifications shown are subject to change without notice.