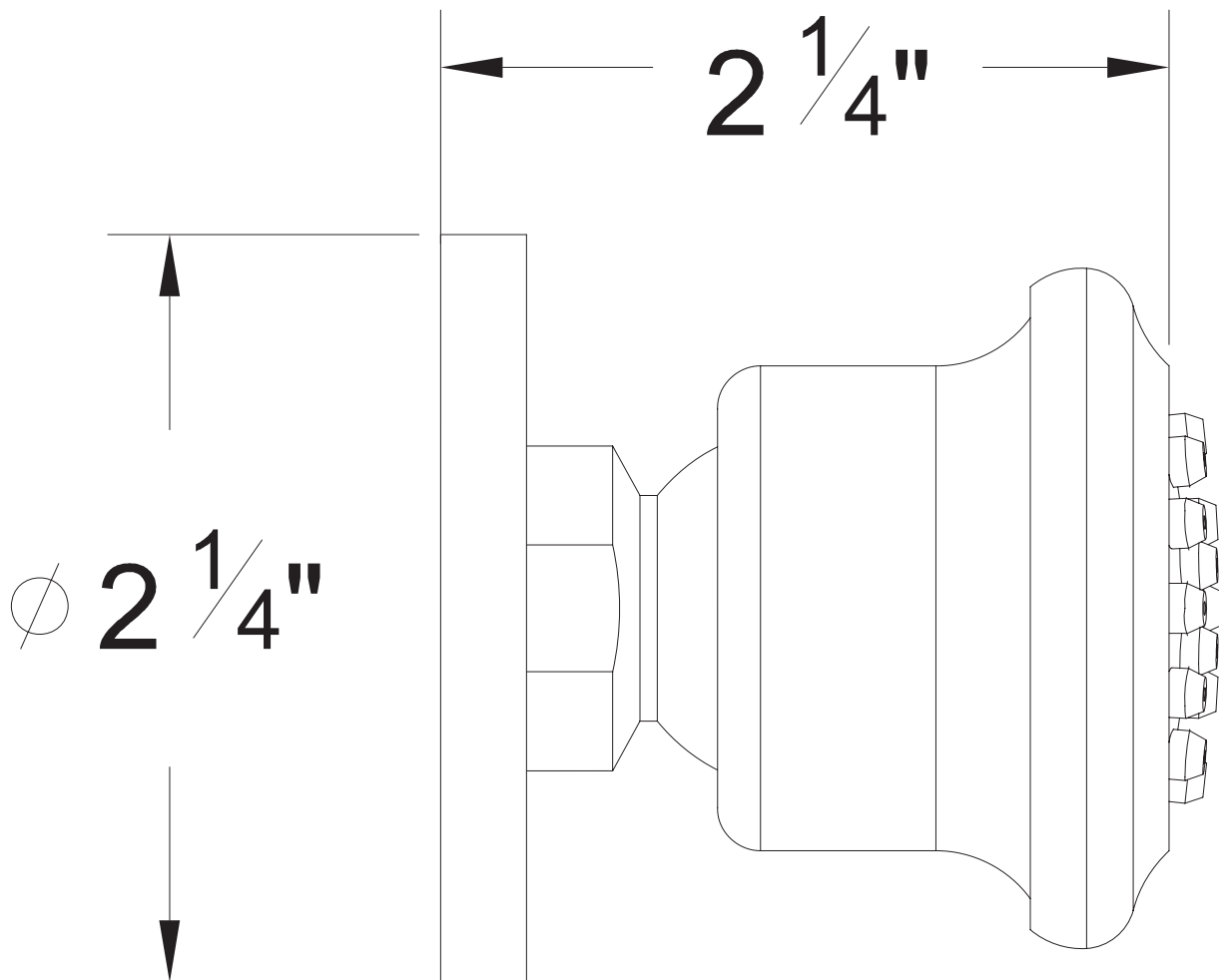


PRODUCT SPECIFICATION SHEET

ITEM # 708205

All brass body spray with flange

- With rubber nozzles for easy cleaning
- 1/2" NPS female connection
- 2-1/4" OD flange
- 2.2 GPM



The measurements shown are for reference only. Products and specifications shown are subject to change without notice.

www.santecfaucet.com | P: 310.542.0063 F: 310.542.5681