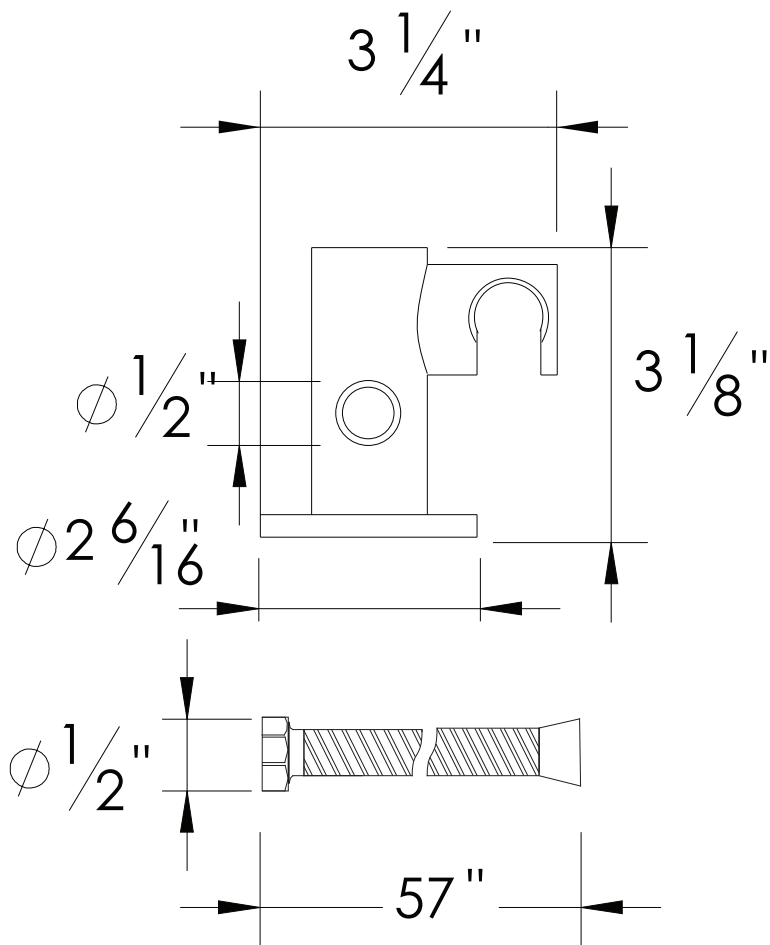


## PRODUCT SPECIFICATION SHEET

### ITEM # 708330

### Hand shower set with adjustable bracket and outlet

- 1/2" NPS male outlet
- 1/2" NPT female inlet
- 2.5 GPM
- Includes flow restrictor (CA 2.0 GPM CALGreen compliant)
- Single function sprayer
- Supply elbow not required
- Hose included



The measurements shown are for reference only. Products and specifications shown are subject to change without notice.