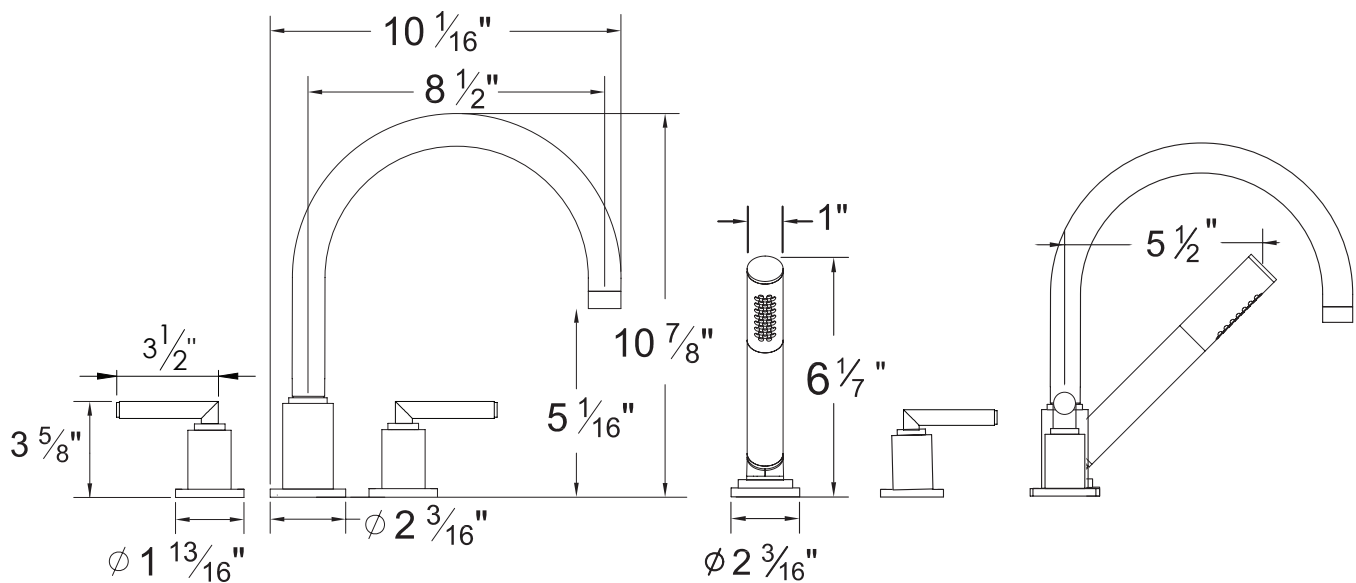


**PRODUCT SPECIFICATION SHEET**

**ITEM # 9455FO-TM**  
**TRIM**  
**Roman tub filler with hand shower**

- "FO" style handles
- Includes backflow preventor
- Single function sprayer
- 16 GPM
- Hand shower is 2.0 GPM
- ROUGH NOT INCLUDED
- USE P0007 ROUGH



The measurements shown are for reference only. Products and specifications shown are subject to change without notice.